



MICRO SWITCH
 FREEPORT ILLINOIS
 A DIVISION OF HONEYWELL
 FED. MFG. CODE 91929

SWITCH - BASIC

CATALOG LISTING

BZ - 2RL - P4

BZ - 2RL - P4

PAGE 1 OF 1

M

DRAWING NUMBER

6

ISSUE

REPLACES

RELEASE NO.

CHECK

REVISIONS

A	CO18851	8 C H	9 MARCH 63
B	CO-173287-G	J A L	20 OCT 93
C	CO-75367B	K D R	3 MAR 94
D	CO-77863	G J W	3 MAY 96
E	C093346	DLT	9 SEP 98

CHECK

23 APR 63

DAW

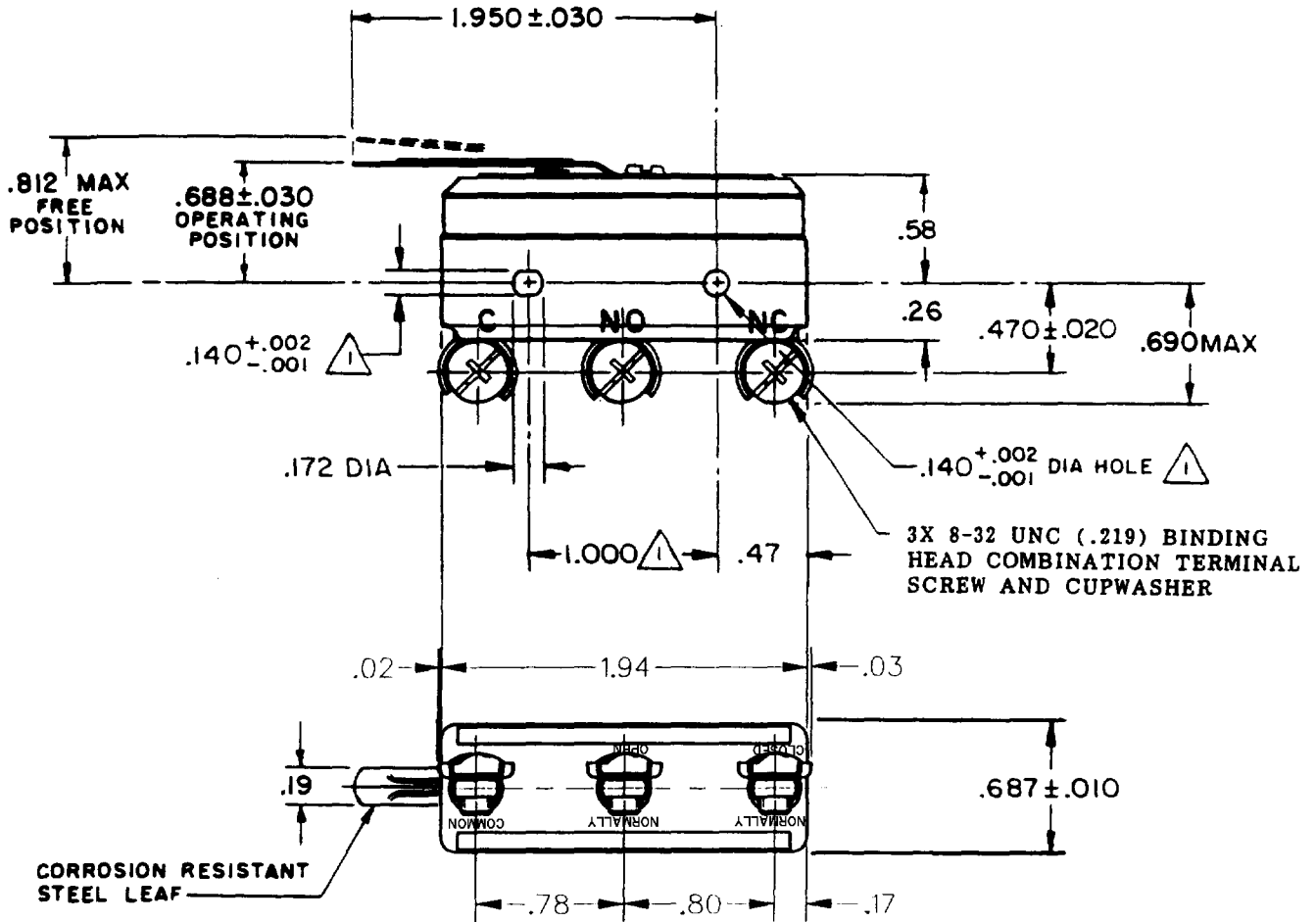
CHECK

6 MARCH 63

DRAWN

FORMTEK

FO-80378



NOTE
 MOUNTING HOLES WILL ACCEPT PINS OR SCREWS
 OF .139 MAX DIA ON 1.000 ± .002 CENTERS

THIS DRAWING COVERS A PROPRIETARY ITEM AND IS THE PROPERTY OF MICRO SWITCH, A DIVISION OF MINNEAPOLIS-HONEYWELL REGULATOR CO. THIS DRAWING IS NOT TO BE COPIED OR USED WITHOUT THE APPROVAL OF MICRO SWITCH.

CHARACTERISTICS

OPERATING FORCE ----- 5 OZ MAX
 RELEASE FORCE ----- 1/2 OZ MIN
 DIFFERENTIAL TRAVEL ----- .050 MAX
 DO NOT OVERTRAVEL MORE THAN ----- .062

ELECTRICAL DATA

CONTACT ARRANGEMENT
 S P D T

UNDERWRITERS' LAB. INC. LISTED RATING
 -L96- 15 A - 125, 250, OR 480 VAC
 1/2 A - 125 VDC; 1/4 A - 250 VDC
 1/8 HP - 125 VAC, 1/4 HP - 250 VAC
 -L288- CE D SP
 -L299- 16A 250V ~ T85 5E4
 -L306-

SCALE FULL

DO NOT SCALE PRINT

UNLESS OTHERWISE SPECIFIED
 DIMENSIONS ARE IN INCHES
TOLERANCES ARE:

ONE PLACE (.0) ±.030
 TWO PLACE (.00) ±.015
 THREE PLACE (.000) ±.005
 ANGLES ±

WEIGHT .063 LB