



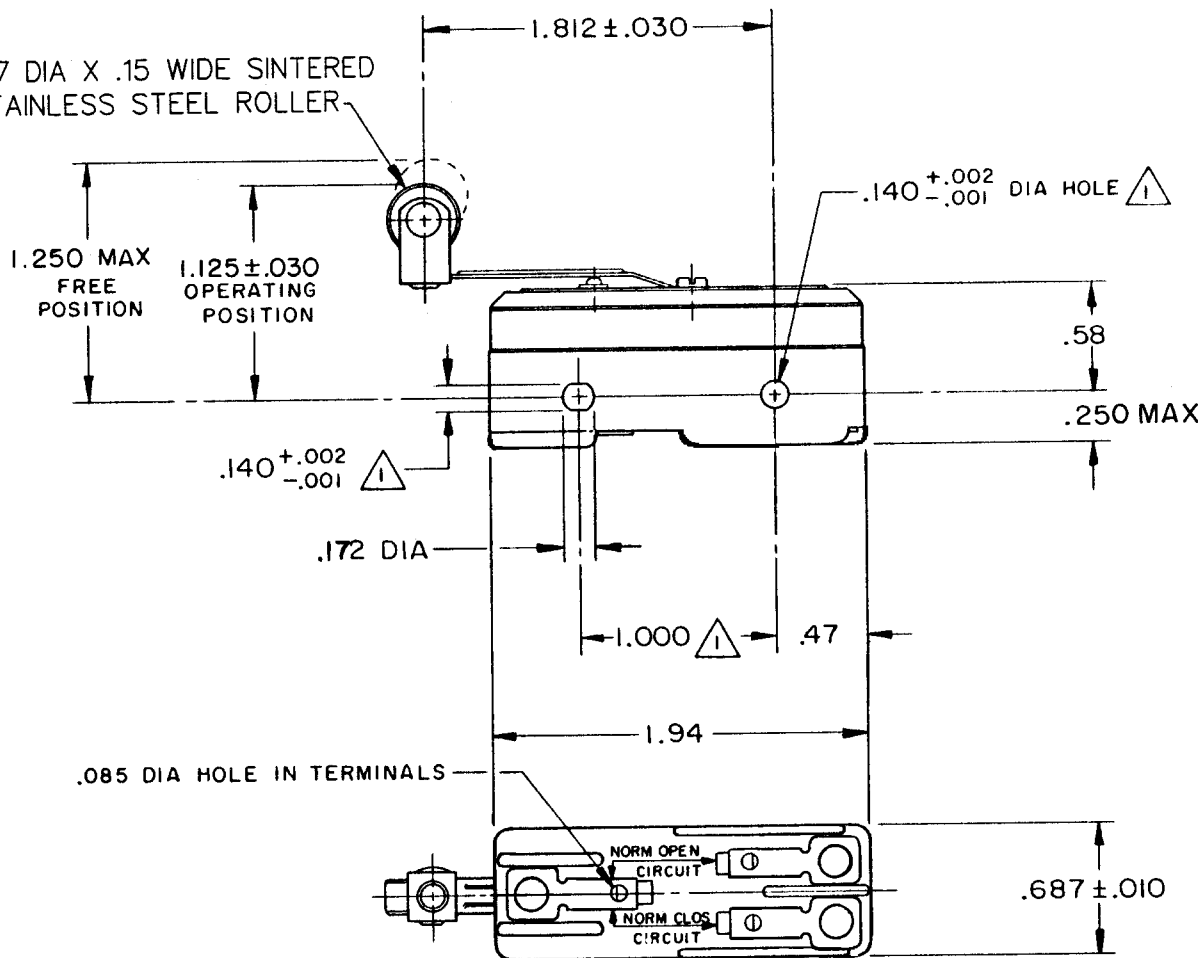
MICRO SWITCH
 FREEPORT, ILLINOIS, U.S.A.
 A DIVISION OF HONEYWELL

FED. MFG. CODE 91929

SWITCH - BASIC

CATALOG LISTING
BZ - 2RL2

.37 DIA X .15 WIDE SINTERED
 STAINLESS STEEL ROLLER



NOTES

1 MOUNTING HOLES WILL ACCEPT PINS OR SCREWS
 OF .139 MAX DIA ON 1.000 ± .002 CENTERS

THIS DRAWING COVERS A PROPRIETARY ITEM AND IS THE PROPERTY OF MICRO SWITCH, A DIVISION OF MINNEAPOLIS-HONEYWELL REGULATOR CO. THIS DRAWING IS NOT TO BE COPIED OR USED WITHOUT THE APPROVAL OF MICRO SWITCH.

CHARACTERISTICS

OPERATING FORCE ----- 5 OZ MAX
 RELEASE FORCE ----- 1/2 OZ MIN
 DIFFERENTIAL TRAVEL ----- .050 MAX
 DO NOT OVERTRAVEL MORE THAN ----- .060

ELECTRICAL DATA

CONTACT ARRANGEMENT
 S P D T

UNDERWRITERS' LAB. INC. LISTED RATING

-L96- 15 A - 125, 250, OR 480 VAC
 1/2 A - 125 VDC, 1/4 A - 250 VDC
 1/8 HP - 125 VAC, 1/4 HP - 250 VAC

-L288-
 -L299-
 -L306- 16A 250V T85 5E4

SCALE FULL

DO NOT SCALE PRINT

UNLESS OTHERWISE NOTED
 DIMENSIONS ARE IN INCHES

TOLERANCES ARE:

ONE PLACE (.0) ± .030
 TWO PLACE (.00) ± .015
 THREE PLACE (.000) ± .005
 ANGLES ±

WEIGHT .060 LB

DRAWING NUMBER
BZ-2RL2
 PAGE 1 OF 1

ISSUE
M
 13

REVISIONS

A	CO17410	GCH	27 APR 63
B	CO46304	JAP	12 OCT 79
C	CO58037	SMA	1 OCT 85
D	CO75204B	KDR	1 FEB 94
E	CO78874	DLT	18 NOV 94
F	CO93346	DLT	9 SEP 98
G	CO94212-J	JJA	5 OCT 99

FORMTEK
 FO-50378
 DRAWN
 GCH
 27 APRIL 63
 CHECK
 L.S.D
 22 MAY 63

REPLACES
 RELEASE NO.
 CHECK
 CHECK
 CHECK