



MICRO SWITCH

FREEPORT, ILLINOIS, U.S.A.
A DIVISION OF HONEYWELL

FED. MFG. CODE 91929

SWITCH - BASIC

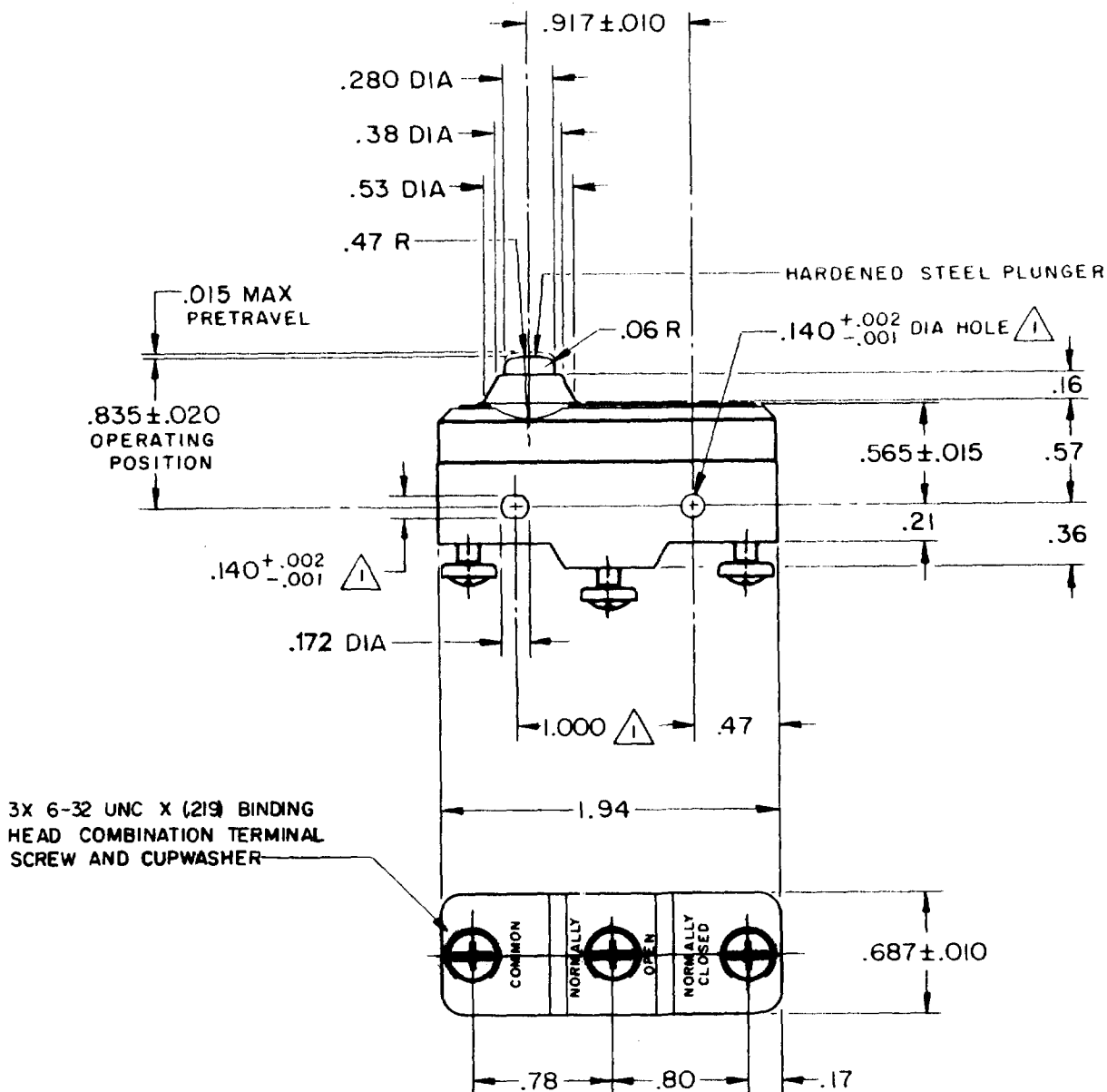
CATALOG LISTING

BZ-2RD-A2

BZ-2RD-A2
 PAGE 1 OF 1
M
 DRAWING NUMBER
6
 ISSUE

REVISIONS	
A	C017410 GCH 15 MAY 63
B	CO-73287-B DHD 17 MAY 93
C	CO-77589 KDR 29 MAR 94
D	C093346 DLT 8 SEP 98

CHECK
 17 JUN 63
 L.S.D.
 CHECK
 15 MAY 63
 DRAWN
 GCH
 FORMTEK
 FO-50378



NOTE
 MOUNTING HOLES WILL ACCEPT PINS OR SCREWS OF .139 MAX DIA ON 1.000 ± .002 CENTERS

THIS DRAWING COVERS A PROPRIETARY ITEM AND IS THE PROPERTY OF MICRO SWITCH, A DIVISION OF MINNEAPOLIS-HONEYWELL REGULATOR CO. THIS DRAWING IS NOT TO BE COPIED OR USED WITHOUT THE APPROVAL OF MICRO SWITCH.

CHARACTERISTICS	ELECTRICAL DATA	SCALE FULL
OPERATING FORCE ----- 9-13 OZ	CONTACT ARRANGEMENT S P D T	DO NOT SCALE PRINT
RELEASE FORCE ----- 4 OZ MIN	L96 15A 125, 250 OR 480 VAC 1/8HP 125 VAC, 1/4HP 250 VAC 1/2A 125 VDC, 1/4A 250 VDC	UNLESS OTHERWISE NOTED DIMENSIONS ARE IN INCHES TOLERANCES ARE:
DIFFERENTIAL TRAVEL ----- .0004-.0020	L288 L299 L306	ONE PLACE (.0) ±.030 TWO PLACE (.00) ±.015 THREE PLACE (.000) ±.005 ANGLES ±
OVERTRAVEL ----- .060 MIN	16A 250V T85 5E4	WEIGHT .064 LB