

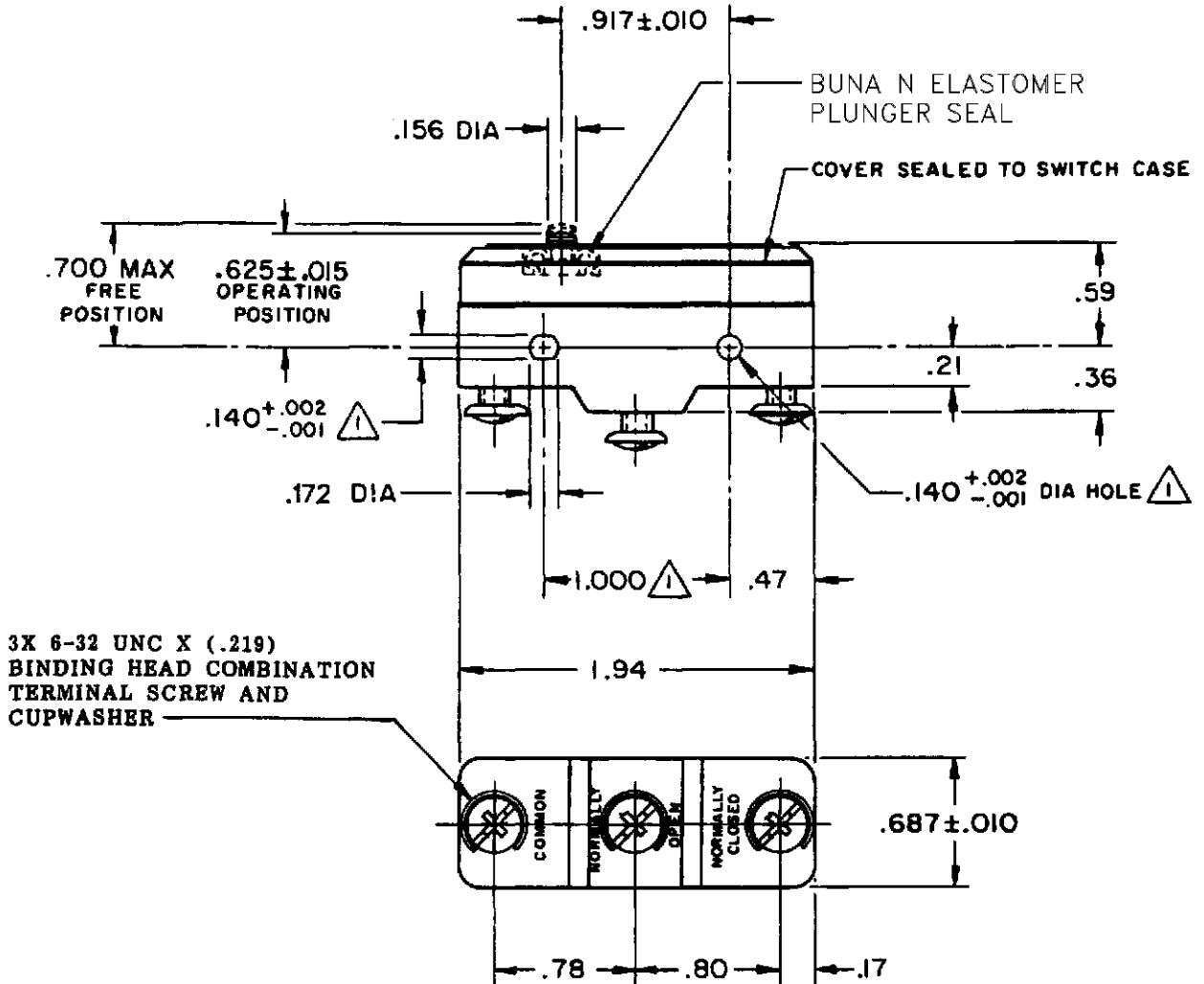
MICRO SWITCH
a Honeywell Division

SWITCH-BASIC

CATALOG LISTING
BZ-2R55-A2-S

FED. MFG. CODE 91929

CATALOG LISTING
BZ-2R55-A2-S
PAGE 1 OF 1
REPLACES PR-6725
ISSUE 6
CHECK
REVISIONS
A CO-93074
CCK 17 JUN 98
J A F
17 JUN 98
CCK 17 JUN 98
DRAWN
FORMTEK



3X 6-32 UNC X (.219)
BINDING HEAD COMBINATION
TERMINAL SCREW AND
CUPWASHER

NOTE -
1 MOUNTING HOLES WILL ACCEPT PINS OR SCREWS OF .139 MAX DIA ON 1.000 ± .002 CENTERS
2 - SEALED CONSTRUCTION PROVIDES SPLASH RESISTANCE

THIS DRAWING COVERS A PROPRIETARY ITEM AND IS THE PROPERTY OF MICRO SWITCH, A DIVISION OF HONEYWELL. THIS DRAWING IS NOT TO BE COPIED OR USED WITHOUT THE APPROVAL OF MICRO SWITCH.

THIRD ANGLE PROJECTION

| CHARACTERISTICS |
|------------------------------------|
| OPERATING FORCE ----- 9-15 OZ |
| RELEASE FORCE ----- 4 OZ MIN |
| DIFFERENTIAL TRAVEL ---.0004-.0025 |
| OVERTRAVEL ----- .005 MIN |

| ELECTRICAL DATA |
|--|
| CONTACT ARRANGEMENT |
| L96 |
| L288 |
| L299 |
| L306 |
| 15A-125, 250, OR 480 VAC 1/8 HP-125 VAC; 1/4 HP-250 VAC 1/2 A-125 VDC; 1/4 A-250 VDC 16A 250V~T85 5E4 |

| SCALE | FULL | DO NOT SCALE PRINT |
|---|--------|--------------------|
| UNLESS OTHERWISE SPECIFIED TOLERANCES ARE | | |
| ONE PLACE | (.0) | ±.030 |
| TWO PLACE | (.00) | ±.015 |
| THREE PLACE | (.000) | ±.005 |
| ANGLES | | ± |
| WEIGHT | | |

