



MICRO SWITCH

FREEPORT, ILLINOIS, U.S.A.
A DIVISION OF HONEYWELL

FED. MFG. CODE 91929

SWITCH-BASIC

CATALOG LISTING
BZ-2R15-A6

BZ-2R15-A6

PAGE 1 OF 1

M

DRAWING NUMBER

ISSUE

6

REPLACES

RELEASE NO.

CHECK

REVISIONS

A	CO-15200
W L K	5 MAR 64
D	CO-89351-D
JWB	18 JUL 91
C	CO-77589
K D R	29 MAR 94
D	CO93346
DLT	12 AUG 98

CHECK

9 MAR 64

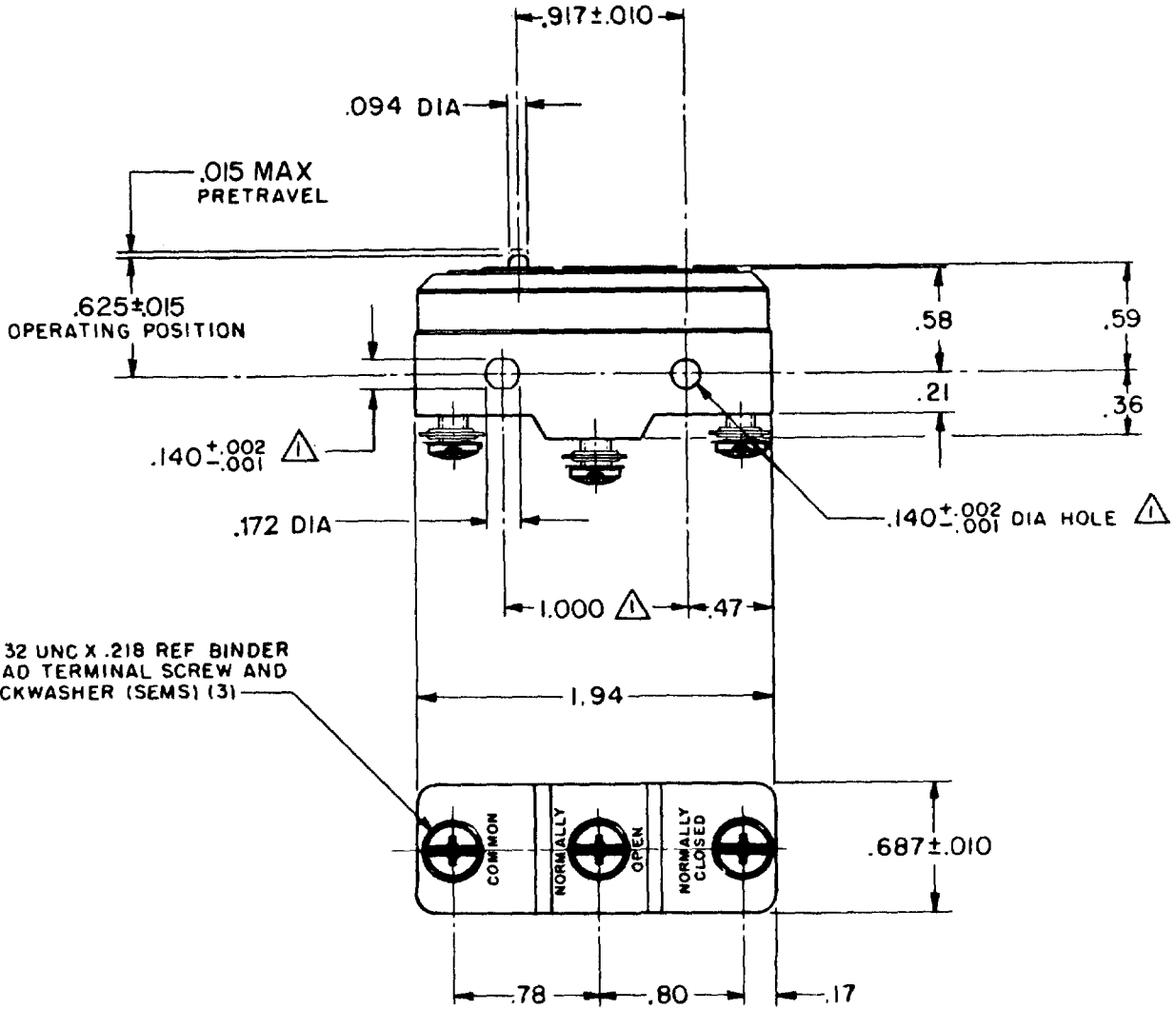
DAW

CHECK

5 MAR 64

W L K

FORMTEK



6-32 UNC X .218 REF BINDER
HEAD TERMINAL SCREW AND
LOCKWASHER (SEMS) (3)

NOTE -
△ - MOUNTING HOLES WILL ACCEPT PINS OR SCREWS
OF .139 MAX DIA ON 1.000 ± .002 CENTERS

THIS DRAWING COVERS A PROPRIETARY ITEM AND IS THE PROPERTY OF MICRO SWITCH, A DIVISION OF MINNEAPOLIS-HONEYWELL REGULATOR CO. THIS DRAWING IS NOT TO BE COPIED OR USED WITHOUT THE APPROVAL OF MICRO SWITCH.

CHARACTERISTICS

OPERATING FORCE ----- 9-13 OZ

RELEASE FORCE ----- 4 OZ MIN

DIFFERENTIAL TRAVEL ----- .0004-.0020

OVERTRAVEL ----- .005 MIN

ELECTRICAL DATA

CONTACT ARRANGEMENT
S P D T

UNDERWRITERS' LAB. INC. LISTED RATING

-L9- 10 A-125, 250, OR 480 VAC

1/2 A-125 VDC; 1/4 A-250 VDC

-L288-



SCALE FULL

DO NOT SCALE PRINT

UNLESS OTHERWISE NOTED
DIMENSIONS ARE IN INCHES

TOLERANCES ARE:

ONE PLACE	(.0)	±.030
TWO PLACE	(.00)	±.015
THREE PLACE	(.000)	±.008
ANGLES		±

WEIGHT .063 LB

FO-50378

DRAWN

5 MAR 64