

## BU-P5281-2

Solderless & Stackable Banana Plug 15 AMP

### Description:

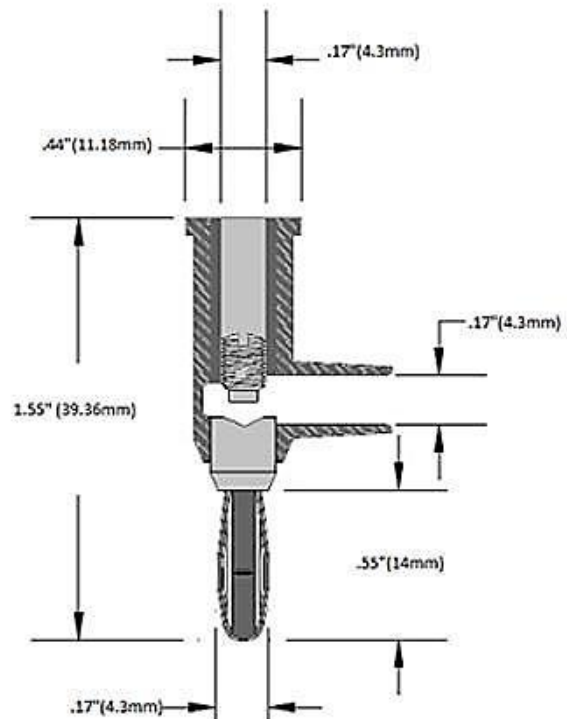
- \* Universal solderless, stackable banana plug.
- \* Field serviceable, set screw is accessible with a blade screwdriver.
- \* Set Screw is designed for use with test leads, jumpers, and wire.
- \* Thru-Hole design provides locating wire outside of plug.
- \* Fits all retraceable, shrouded, and unshrouded banana plugs. (0.161" {4.0mm}) to (0.166" {4.2mm}) diameter.
- \* Tarnish resistance finish to prevent any corrosion, fading, and rusting.

### Materials:

Banana Jack Body:	Insulation: Polypropylene
Banana Jack:	Nickel Plated Brass
Cage Spring:	4 Leaf Nickel Plated Beryllium Copper
Set Screw:	Zinc Plated Steel 8/32" single slot

### Ratings:

CE Compliance:	
Voltage:	*To be used safely and for personal safety do not handle with voltages over 33Vms/70 Vdc. *Maximum "hands free" in controlled environments: 500 Vrms
Operating Temp:	+122°F (50°C)
Current:	15 Amps



### How to Order:

Model: BU-P5281-\* (-\* Indicates Color)  
(\*0 Black, \*2 Red, \*4 Yellow, \*5 Green, \*6 Blue, \*9 White)

Contact: Sales: 1-880-955-2629  
Technical Support:  
techsupport@muellerelectric.com  
Fax: 216-771-3068

Where to Purchase:  
International: 216-771-5225  
[www.muellerelectric.com](http://www.muellerelectric.com)