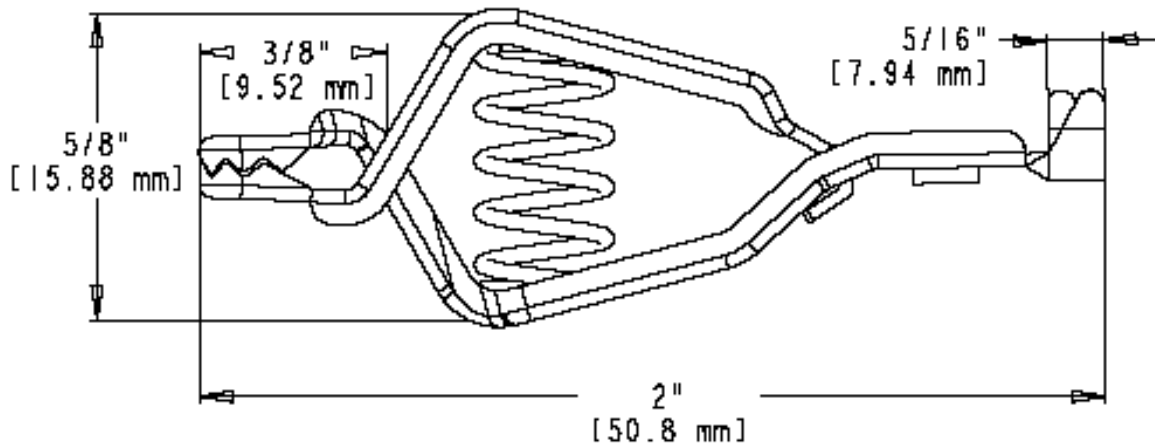
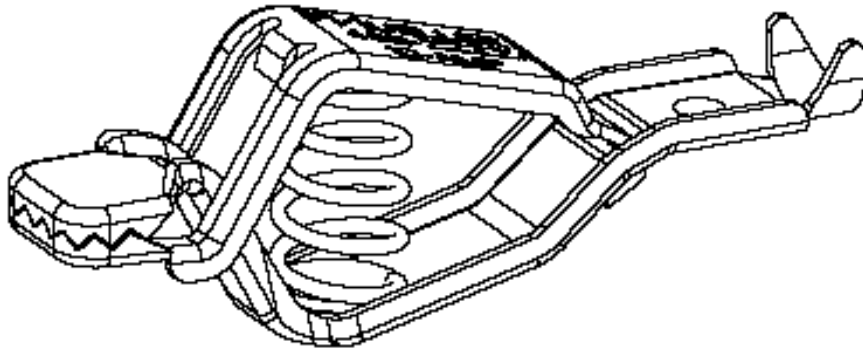




Part Number: BU-48B2E
Description: Automotive Analyzer Clip

3507



- Automotive Analyzer Clip
- Screw or double crimp connection
- Jaw opens 0.5" (12.7 mm) max
- Material: zinc-plated steel
- Length: 2" (50.8 mm)
- Rating: 10 Amps
- RoHS Compliant