

BSW-110-24-T-S

BSW-124-04-T-S-S

BSW-115-04-G-D

**BSW SERIES**

**(2,54 mm) .100"**

# BOTTOM MOUNT SOCKET STRIPS

**Mates with:**

TSW, MTSW, HTSW, MTLW, TSM, EW, ZW, HW, DW, PHT

**FEATURES**

- Bottom mount socket strips accept .025" SQ terminals.
- Ideal for soldering and plugging from the same side of the board.
- For low profile connections and high temperature soldering.

**SPECIFICATIONS**

For complete specifications and recommended PCB layouts see [www.samtec.com?BSW](http://www.samtec.com?BSW)

**Insulator Material:**

Black Thermoplastic  
**Insulation Resistance:**  
 5000 MΩ min

**Contact Material:**

Phosphor Bronze

**Plating:**

Au or Sn over

50μ" (1,27 μm) Ni

**Operating Temp Range:**

-55°C to +125°C with Gold

-55°C to +105°C with Tin

**Withstanding Voltage:**

1000 VRMS @ 60 Hz

**Contact Resistance:**

10 mΩ

**Insertion Depth:**

(3,68 mm) .145" to

(6,35 mm) .250"

**Insertion Force:**

(Single contact only)

Standard = 8 oz (2,23 N) avg.

Low Insertion Force = 3 oz (0,83 N) avg.

**Withdrawal Force:**

(Single contact only)

Standard = 8 oz (2,23 N) avg.

Low Insertion Force = 3 oz (0,83 N) avg.

**RoHS Compliant:**

Yes

**Lead-Free Solderable:**

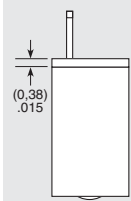
Wave only

**RECOGNITIONS**

For complete scope of recognitions see [www.samtec.com/quality](http://www.samtec.com/quality)

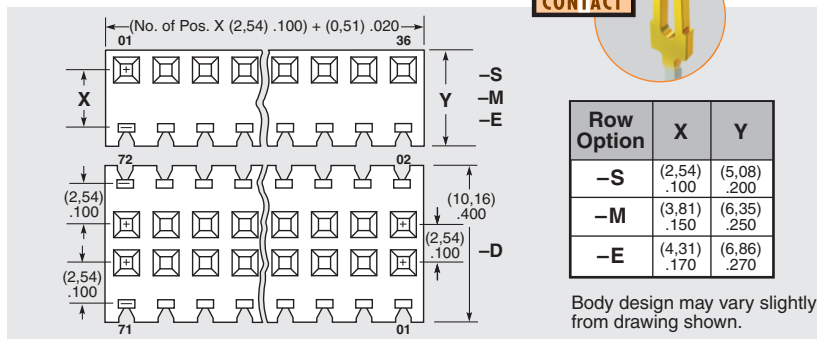
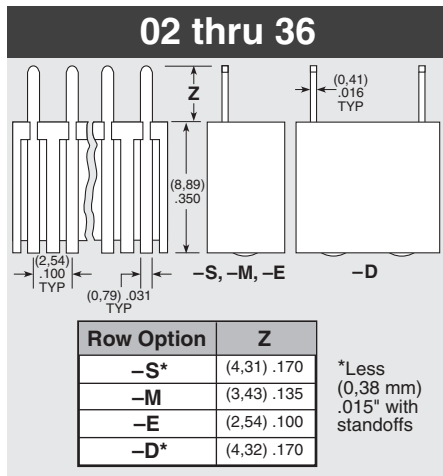


**Note:** Some lengths, styles and options are non-standard, non-returnable.

<b>BSW</b>	<b>1</b>	<b>NO. PINS PER ROW</b>	<b>LEAD STYLE</b>	<b>PLATING OPTION</b>	<b>ROW OPTION</b>	<b>OTHER OPTION</b>
			<b>-04</b> = Standard Lead	<b>-L</b> = 10μ" (0,25 μm) Gold contact, Matte Tin on tail		<b>-S</b> = Standoffs for single and double rows only.
			<b>-24</b> = Low Insertion Force	<b>-G</b> = 20μ" (0,51 μm) Gold contact, Gold Flash on tail		 (0,39) (0,15)
				<b>-T</b> = Matte Tin (N/A with Low Insertion Force)		(-S & -D only)

**ALSO AVAILABLE (MOQ Required)**

- Other platings
- Contact Samtec.



- S** = Single Row
- M** = Single Row More Plug Space
- E** = Single Row Extended Plug Space
- D** = Double Row

**APPLICATIONS**

