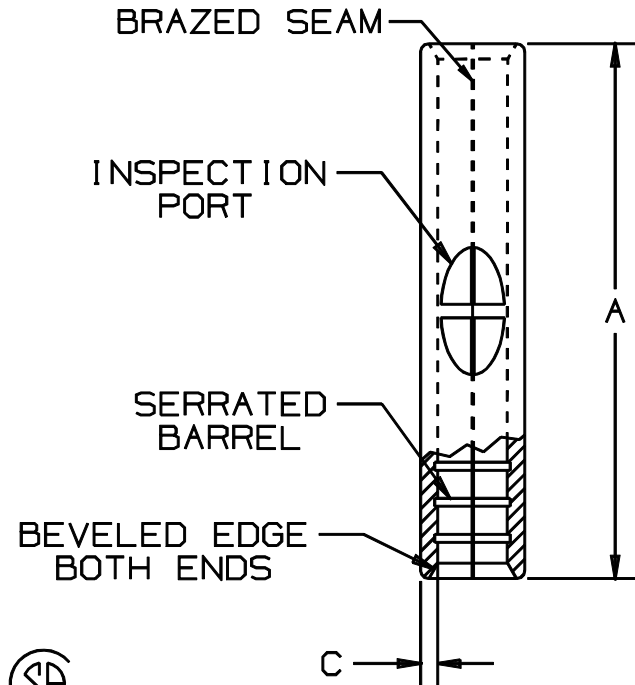
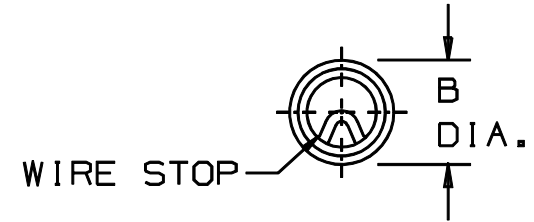


THIS COPY IS PROVIDED ON A RESTRICTED BASIS AND IS NOT TO BE USED IN ANY WAY DETRIMENTAL TO THE INTERESTS OF PANDUIT CORP.

PANDUIT PART NUMBER		WIRE SIZE AWG	DIMENSIONS in.		
PREFIX	PK.		A $\pm .02$	B DIA. $\pm .01$	C $\pm .01$
BS18	-C -M	22-18	.62 (15.7)	.14 (3.6)	.032 (0.81)
BS14	-C -M	16-14	.62 (15.7)	.16 (4.1)	.032 (0.81)
BS10	-L -D	12-10	.63 (16.0)	.22 (5.6)	.040 (1.02)

NOTES:

- UL LISTED AND CSA CERTIFIED FOR:
 - SOLID OR STRANDED COPPER WIRE
 - 302° F (150° C) MAX. TEMP. RATING
- MATERIAL:
 - STAMPING - COPPER, TIN PLATED
- PACKAGE QTY: STD. PKG. -L=50 BULK PKG. -D=500
-C=100 -M=1000
- DIMENSIONS IN BRACKETS ARE IN MILLIMETERS
- INSTALLATION TOOLS:
 - UL LISTED AND CSA CERTIFIED: CT-100, CT-200, CT-570, CT-1570
 - PANDUIT APPROVED: CT-160, CT-260
- WIRE STRIP LENGTH: 9/32 $\pm 1/32$ (7.1 $\pm .8$)



LISTED
587H
E52164



CERTIFIED
LR31212

A41338_05

05	2/01	KMD		DRAWING NUMBER WAS 41338A					TINLEY PARK, ILLINOIS		
04	8/98	DL		UPDATED BS10 A DIM. WAS .72 UPDATED NOTES & WIRE STOP CONFIGURATION	07119						
03	10/94	TH	RLS	UPDATED NOTES AND DIMENSIONS	02547	LA	TKE	NON-INSULATED BUTT SPLICE			
2	9-88	DW		REDRAWN WITH REVISIONS							
REV	DATE	BY	CHK	DESCRIPTION	ECN #	CUST	PM	DRAWN BY DAW	CHK'D	SCALE NONE	DRAWING NO. A41338