

## Datasheet - BPS 260-1

Safety sensors / BNS 260 / Actuator / BPS 260



Preferred typ



• Actuator and sensor on a mounting level

(Minor differences between the printed image and the original product may exist!)

### Ordering details

Product type description	BPS 260-1
Article number	101184395
EAN Code	4030661321936
eCl@ss	27-27-92-17

### Global Properties

Permanent light	Magnet
Materials	
- Material of the housings	Plastic
Weight	14.5
notice	Actuator and sensor on a mounting level

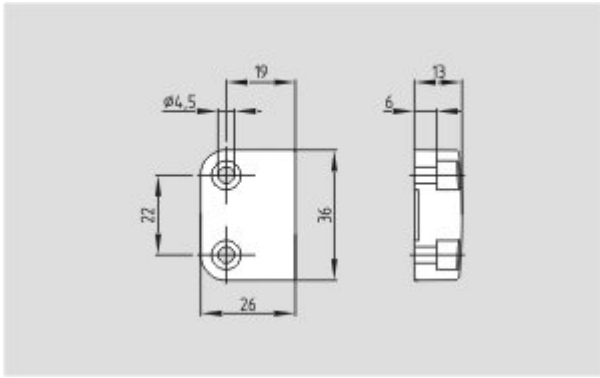
### Mechanical data

Actuation direction	0°
---------------------	----

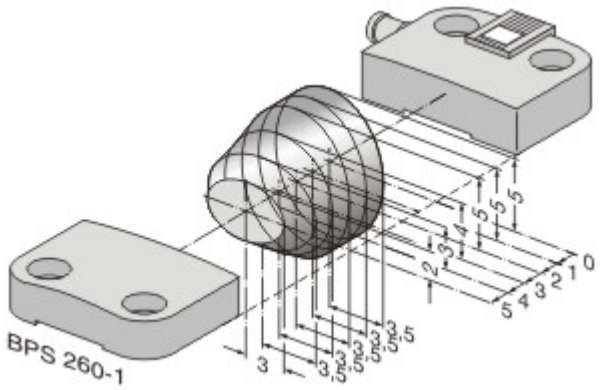
### Dimensions

Dimensions of the actuators	
- Width of the actuator	26
- Height of the actuator	36
- Length of the actuator	13

### Images



Dimensional drawing (miscellaneous)



Characteristic curve

K.A. Schmersal GmbH & Co. KG, Mödinghofe 30, D-42279 Wuppertal  
 The data and values have been checked thoroughly. Technical modifications and errors excepted.  
 Generiert am 17.09.2018 - 10:00:00h Kasbase 3.3.0.F.64I