

## Datasheet - BPS 250

Safety sensors / BNS 250 / Actuator



Preferred typ

• Thermoplastic enclosure



(Minor differences between the printed image and the original product may exist!)

### Ordering details

Product type description	BPS 250
Article number	101120594
EAN Code	4030661049168
eCl@ss	27-27-92-17

### Global Properties

Permanent light	Magnet
Materials	
- Material of the housings	Plastic
Weight	15

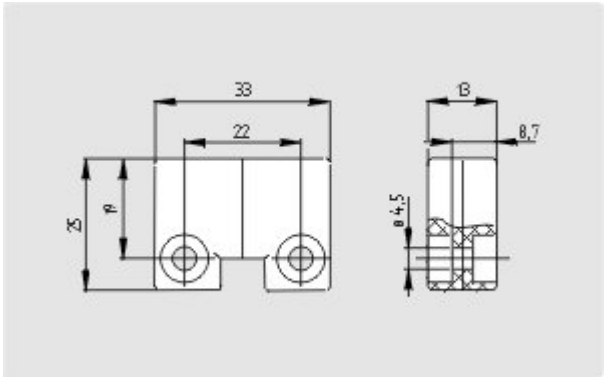
### Dimensions

Dimensions of the actuators	
- Width of the actuator	33
- Height of the actuator	25
- Length of the actuator	13

### Included in delivery

tamperproof screws	2 piece
--------------------	---------

### Images



Dimensional drawing (miscellaneous)

---

K.A. Schmersal GmbH & Co. KG, Möddinghofe 30, D-42279 Wuppertal  
The data and values have been checked thoroughly. Technical modifications and errors excepted.  
Generiert am 18.09.2018 - 07:03:33h Kasbase 3.3.0.F.64I