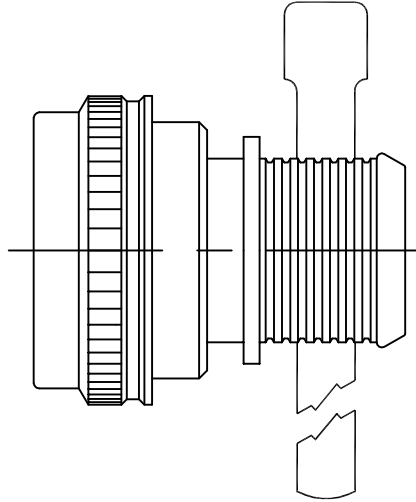


THIS DRAWING AND THE INFORMATION SET FORTH HEREON ARE THE PROPERTY OF TYCO ELECTRONICS CORPORATION, AND ARE TO BE HELD IN TRUST AND CONFIDENCE. PUBLICATION, DUPLICATION, DISCLOSURE, OR USE FOR ANY PURPOSE NOT EXPRESSLY AUTHORIZED IN WRITING BY TYCO ELECTRONICS IS PROHIBITED.

REVISIONS

LTR	DESCRIPTION	DATE	APPROVED
A	INITIAL RELEASE PER DCR R050105	4/28/05	MPIOZET
B	PER ECO-08-024771	10/6/08	MPIOZET



CODE 40 BAND STRAP ADAPTER

NOTES

1. THIS PRODUCT IS DESIGNED TO TERMINATE A BRAIDED CABLE SHIELD BY MEANS OF A BAND STRAP AND A HEAT SHRINKABLE LIPPED BOOT TO A CONNECTOR.
2. SEE CH00-0250-017 FOR ORDERING INFORMATION, MODIFICATIONS AND ADDITIONAL DIMENSIONS. SEE DRAWING BND-1225S FOR BAND STRAP INFORMATION AND DIMENSIONS.
3. ADAPTER TO BE PERMANENTLY MARKED WITH CODE IDENTIFICATION NUMBER AND FULL BASIC PART NUMBER (e.g. 06090-BND40AB00-1814A) INCLUDING MODIFICATION CODES, EVEN IF A BAND IS NOT SUPPLIED WITH THE ADAPTER.
- ④ ALL ENTRY SIZES ARE SHOWN IN TABLE II. MAXIMUM ENTRY SIZES ARE AS SHOWN IN TABLE I. FOR LARGER ENTRY SIZES THAN THE MAXIMUM, A TYPE II ADAPTER MAY BE SUPPLIED. SEE CH00-0250-017 FOR FURTHER DETAILS.
- ⑤ ADAPTOR MATES TO: MIL-C-38999 SERIES III AND IV, CLASS C, F, K AND W, D38999/20, /24, /26, /40, /46 AND /47 CONNECTORS.

If this document is printed it becomes uncontrolled. Check for the latest revision

© 2005-2008 Tyco Electronics Corporation. All rights reserved.

CUSTOMER DRAWING

UNLESS OTHERWISE SPECIFIED DIMENSIONS ARE IN INCHES. METRIC DIMENSIONS ARE IN BRACKETS.

DECIMALS  
 .XXX ± \_\_\_\_\_  
 .XX ± \_\_\_\_\_  
 ANGLES \_\_\_\_\_

WEIGHT  
 ---

DRAWN	MFORONDA	3/21/05
REVISED	---	---
CHECKED	---	---
APPROVED	MPIOZET	3/21/05
CAD NAME: BND40Aa		

THIRD ANGLE PROJECTION

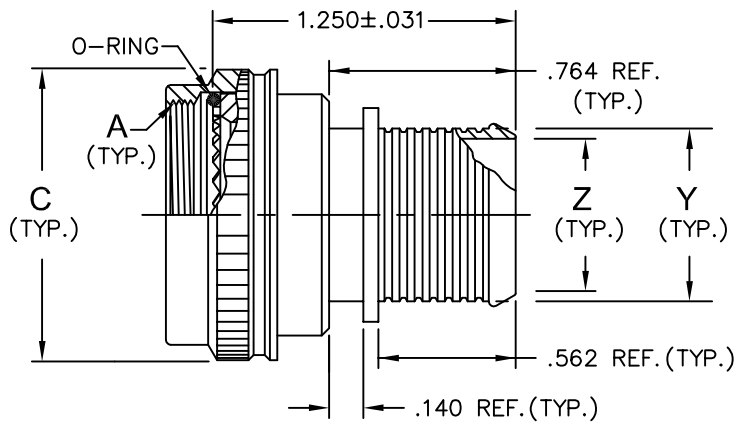


**Tyco Electronics**

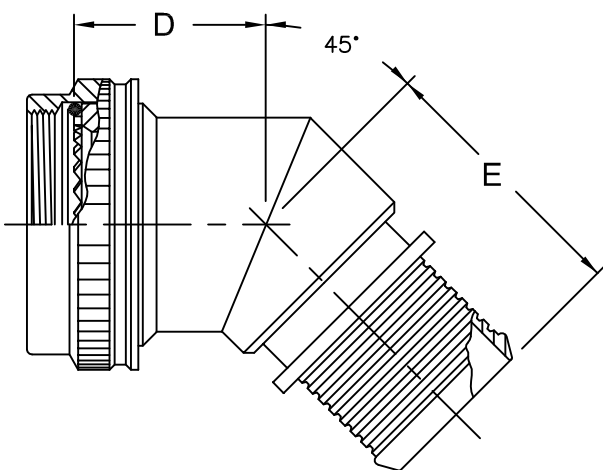
Raychem Adapters  
 300 Constitution Drive  
 Menlo Park, CA 94025 U.S.A

TITLE			
BAND STRAP ADAPTER			
SIZE	CODE IDENT. NO.	DWG. NO.	REV
A	06090	BND40A	B

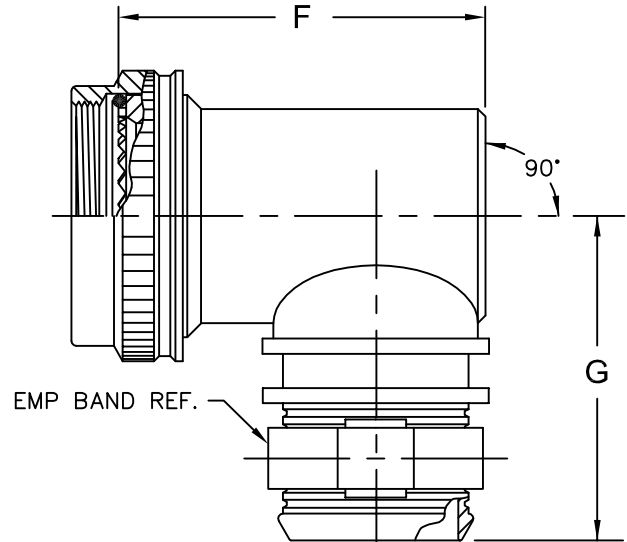
DO NOT SCALE THIS DRAWING		SHEET 1 OF 3	
---------------------------	--	--------------	--



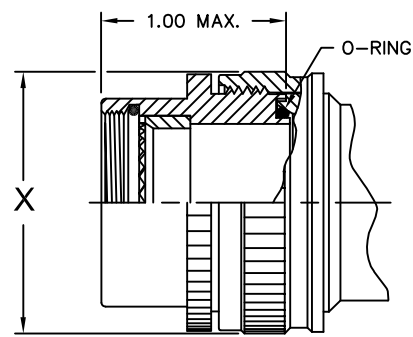
STRAIGHT ADAPTER  
CODE 00



45° ADAPTER  
CODE 45



90° ADAPTER  
CODE 90



TYPE II MODIFICATION  
SEE NOTE 4

If this document is printed it becomes uncontrolled. Check for the latest revision

**CUSTOMER DRAWING**

SIZE A	CODE IDENT. NO. 06090	DWG. NO. <b>BND40A</b>	REV B
DO NOT SCALE THIS DRAWING		CAD NAME: BND40Ab	SHEET 2 OF 3

TABLE I

ORDER NO.	SHELL SIZE		A METRIC THD. CLASS 6H	C MAX. DIA.	D MAX.	E MAX.	F MAX.	G MAX.	BAND MAX. 1 PIECE ENTRY
	COM'L.	MIL.							
0 8	9	A	M12 x 1.0	.703	.52	1.15	.84	1.28	0 4
1 0	11	B	M15 x 1.0	.827	.54	1.17	.97	1.34	0 6
1 2	13	C	M18 x 1.0	.953	.57	1.20	1.09	1.41	0 8
1 4	15	D	M22 x 1.0	1.077	.59	1.23	1.22	1.47	1 0
1 6	17	E	M25 x 1.0	1.203	.62	1.25	1.34	1.53	1 2
1 8	19	F	M28 x 1.0	1.327	.63	1.26	1.41	1.59	1 3
2 0	21	G	M31 x 1.0	1.453	.66	1.29	1.53	1.66	1 5
2 2	23	H	M34 x 1.0	1.577	.68	1.32	1.66	1.72	1 7
2 4	25	J	M37 x 1.0	1.703	.71	1.34	1.78	1.78	1 9

TABLE II

ENTRY ORDER NO.	EMP BAND		
	Z	Y	X
	+ .010 - .020 DIA.	± .015 DIA.	MAX DIA.
0 2	.125	.209	N/A
0 3	.188	.271	N/A
0 4	.250	.334	N/A
0 5	.312	.396	.734
0 6	.375	.459	.734
0 7	.438	.521	.858
0 8	.500	.584	.858
0 9	.562	.646	N/A
1 0	.625	.709	1.112
1 2	.750	.834	1.345
1 4	.875	.959	1.345
1 6	1.000	1.084	1.594
1 8	1.125	1.209	1.594
2 0	1.250	1.334	1.969
2 2	1.375	1.459	2.219
2 4	1.500	1.584	2.219

## CUSTOMER DRAWING

If this document is printed it becomes uncontrolled. Check for the latest revision

© 2005–2008 Tyco Electronics Corporation. All rights reserved.

SIZE A	CODE IDENT. NO. 06090	DWG. NO. BND40A	REV B
DO NOT SCALE THIS DRAWING		CAD NAME: BND40Ac	SHEET 3 OF 3