

SPECIFICATIONS

Electrical Ratings	3A @ 120VAC, 28VDC; 1A @ 250VAC See Contact Options
Electrical Life	50,000 cycles typical
Contact Resistance	< 20 mΩ max initial @ 2-4VDC, 100mA
Dielectric Strength	1500Vrms min
Insulation Resistance	> 100MΩ min
Operating Temperature	-40°C to 85°C
Storage Temperature	-40°C to 85°C



UL US - E222871


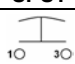

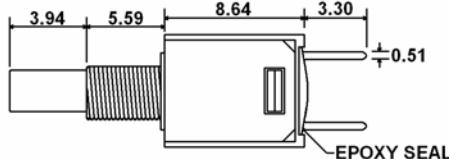
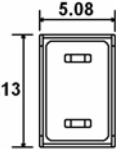
MATERIALS ←RoHS COMPLIANT


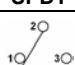

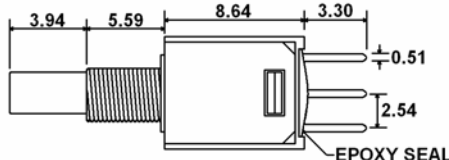
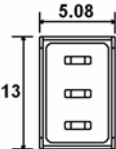
Actuator	Thermoplastic Polyester
Housing	DAP – Diallyl Phthalate
Cover	Stainless Steel
Bushing	Brass, Nickel Plated
Contacts	Copper Alloy, Silver Plated
Terminals	Brass, Silver Plated

ORDERING INFORMATION

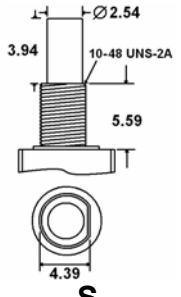
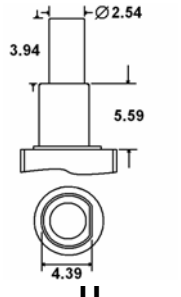
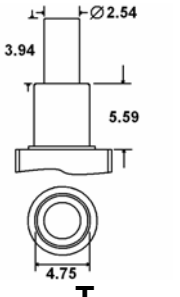
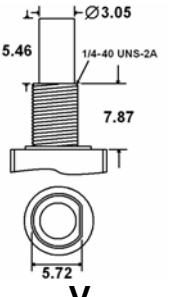
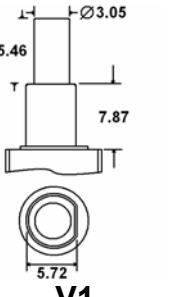
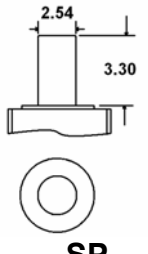
Series:	BNP	1	1	S	C	Q	E
BNP							
Number of Poles: 1 = SPST							
Switch Function: 0 = OFF - (ON) ** for SPST only 1 = ON - (ON) ** for SPDT only							
Bushing: Blank = Panel Mount Frame S / U = 5.59mm, 10-48UNS / Non-Threaded, Flat T = 5.59mm, Non-Threaded, Round V / V1 = 7.87mm, ¼-40NS / Non-Threaded, Flat S9 = 3.20mm, Actuator Only							
Terminals: B = Solder Lug C = PC Pin H = Horizontal Mount, Right Angle PC Pin; HS = Snap-in V = Vertical Mount, Right Angle PC Pin; VS = Snap-in A5 = PC Pin with Support Bracket; A5S = Snap-in Support Bracket							
Contacts: Q = Silver Plated R = Gold Plated G = Gold over Silver Plated							
Epoxy Seal: E = Epoxy Seal							
Cap / Frame Options: C84 C85 C86 C87 **only used with V & V1 bushings F86 = Snap-in Panel Mount w/ Frame				Actuator Cap / Frame Colors: ** See Cap Options for color availability			

SWITCH FUNCTION

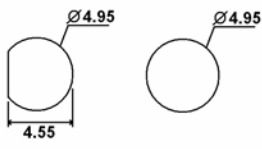
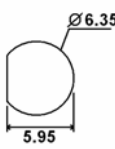
 SPST 	Function	Pushbutton Position				
	0	OFF	(ON)			
Terminals	---	1-3				

 SPDT 	Function	Pushbutton Position				
	1	ON	ON			
Terminals	2-1	2-3				

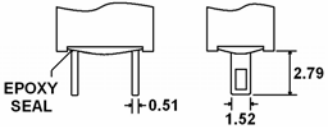
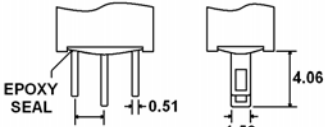
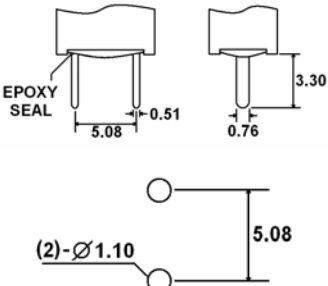
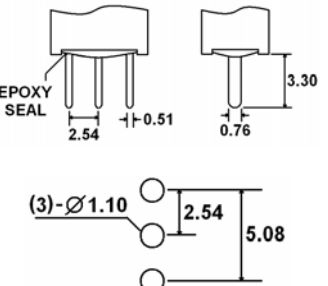
BUSHING OPTIONS

 S	 U	 T	 V	 V1	 SP
--	--	--	---	---	---

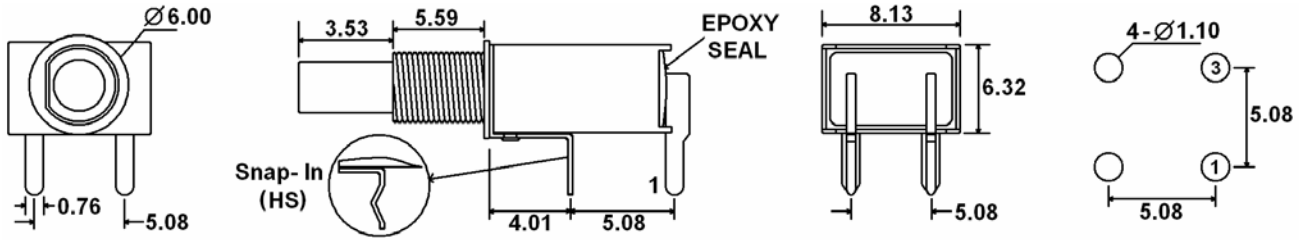
PANEL MOUNTING

 Used with S, U, & T Bushings	 Used with V & V1 Bushings
---	--

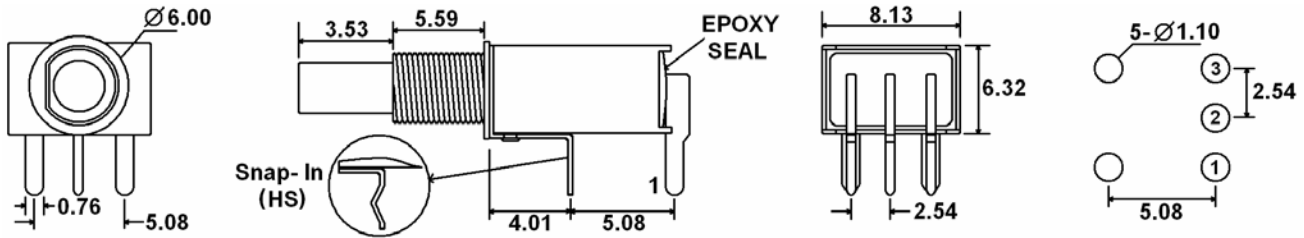
TERMINAL OPTIONS

 B – SPST	 B – SPDT	 C – SPST	 C – SPDT
---	--	---	--

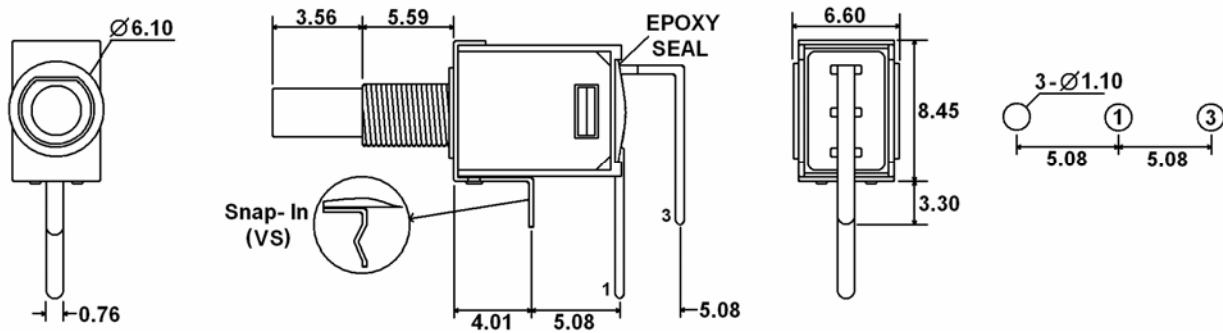
TERMINAL OPTIONS



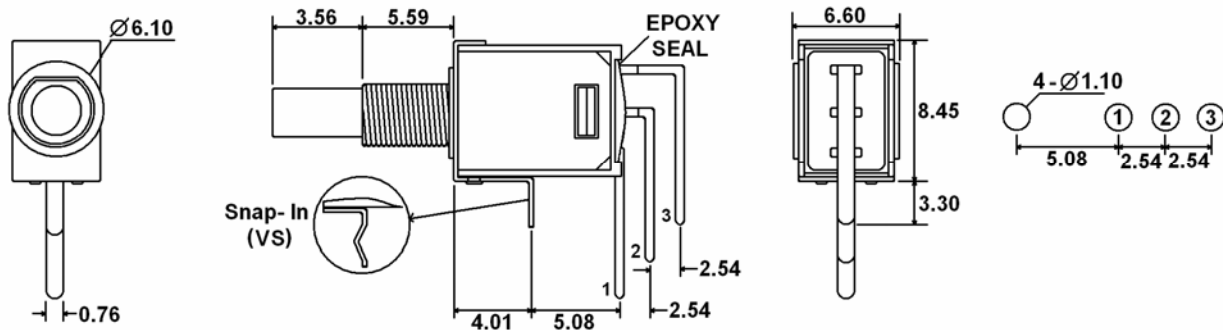
H (HS – Snap-in) = Horizontal Mount, Right Angle PC Pins (SPST)



H (HS – Snap-in) = Horizontal Mount, Right Angle PC Pins (SPDT)

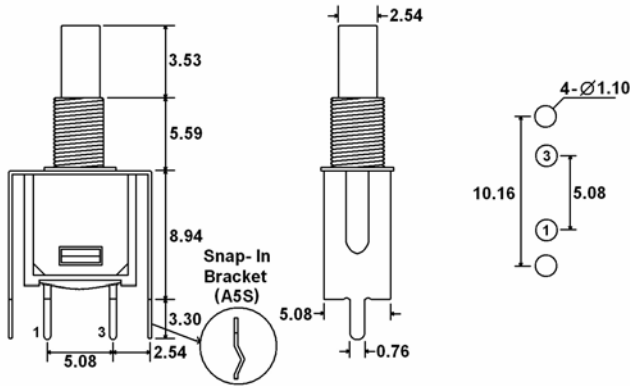


V (VS – Snap-in) = Vertical Mount, Right Angle PC Pins (SPST)

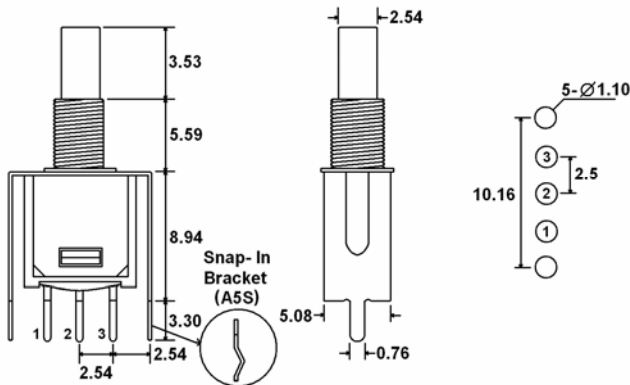


V (VS – Snap-in) = Vertical Mount, Right Angle PC Pins (SPDT)

TERMINAL OPTIONS



A5 (A5S – Snap-in Bracket) = PC Pins with Support Bracket (SPST)



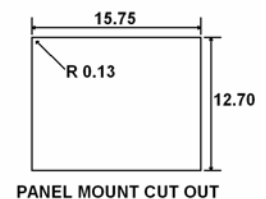
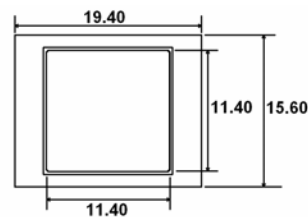
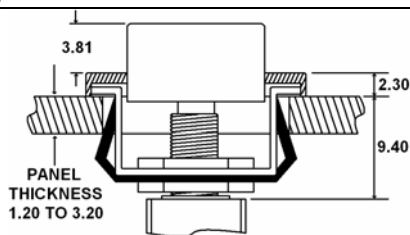
A5 (A5S – Snap-in Bracket) = PC Pins with Support Bracket (SPDT)

CONTACT OPTIONS

Designator	Contact Material	Terminal Material	Electrical Ratings
Q	Silver Plating	Silver Plating	3A @ 120VAC, 28VDC; 1A @ 250VAC
R	Gold over Nickel Plating	Gold over Nickel Plating	.4 VA max @ 20VAC or VDC max
G	Gold over Silver Plating	Gold over Silver Plating	.4 VA max @ 20VAC or VDC max or 3A @ 120VAC, 28VDC; 1A @ 250VAC

FRAME OPTIONS

F86__ ← (Insert Cap & Frame Colors Here)



Cap Color / Frame Color: 1 = White, 2 = Black, 3 = Red

**Contact factory for other available colors

CAP OPTIONS

<p>C84_ 1 = White, 2 = Black, 3 = Red Contact Factory for other available colors</p>	<p>C85_ 1 = White, 2 = Black, 3 = Red Contact Factory for other available colors</p>	<p>C86_ 1 = White, 2 = Black, 3 = Red Contact Factory for other available colors</p>
<p>C87_ 1 = White, 2 = Black, 3 = Red Contact Factory for other available colors **Only for use with V & V1 Bushings</p>		

HARDWARE **Two hex nuts, one lock washer, & one locking ring supplied standard with threaded bushings

<p>Hex Nut</p>	<p>Lock Washer</p>	<p>Locking Ring</p>						
<p>**For use with S Bushings</p>			<p>Hex Nut</p>	<p>Lock Washer</p>	<p>Locking Ring</p>	<p>Dress Nut</p>	<p>Knurled Nut</p>	<p>Knurled Nut</p>
<p>**For use with V Bushings</p>								