

## BNC RECEPTACLES

### PC MOUNT BNC COMMERCIAL RECEPTACLES

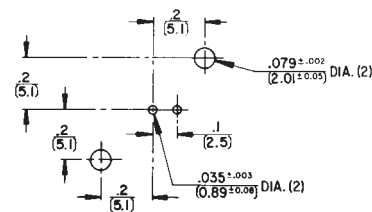


Part Number  
BNCRAPC2000

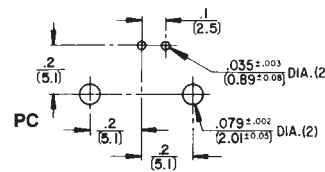


Part Number  
BNCSTPC2000

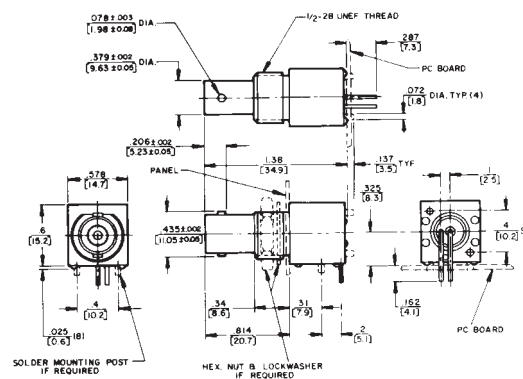
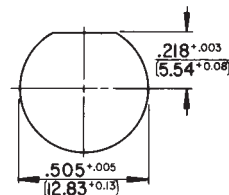
Recommended  
PC Board Layout  
BNCSTPC  
(Component Side)



Recommended  
PC Board Layout  
BNCRAPC  
(Component Side)



Panel Cutout  
(Bushing Mount)



Series BNCSTPC and BNCRAPC

DIMENSIONS ARE FOR REFERENCE ONLY  $\frac{\text{Inch}}{\text{(mm)}}$

NOTE: Contact your Switchcraft Representative for price and delivery.