



### Main

Range of product	Modicon X80
Product or component type	Discrete output module
Electrical connection	20-way connector
Discrete output number	16 conforming to EN/IEC 61131-2
Discrete output type	Relay
Discrete output voltage	24 V 19...30 V DC 240 V 200...264 V AC

### Complementary

[I <sub>th</sub> ] conventional free air thermal current	2 A
Insulation resistance	> 10 MOhm 500 V DC
Power dissipation in W	<= 3 W
Response time on output	<= 10 ms activation <= 12 ms deactivation
Typical current consumption	100 mA at 3.3 V DC
MTBF reliability	2463296 H
Protection type	Overvoltage protection, inductive AC network Overvoltage protection, inductive DC network External overload protection External short-circuit protection
Output overload protection	Use 1 fast blow fuse per channel or group of channel
Output overvoltage protection	Use discharge diode on each output DC Use RC circuit on each output AC Use ZNO surge limiter on each output AC
Output short-circuit protection	Use 1 fast blow fuse per channel or group of channel
Minimum switching current	1 mA 5 V DC
Electrical durability	100000 cycles AC-14 240 VA 240 V 0.7 100000 cycles AC-14 300 VA 200 V 0.7 100000 cycles AC-15 120 VA 240 V 0.35 100000 cycles AC-15 200 VA 200 V 0.35

Disclaimer: This documentation is not intended as a substitute for and is not to be used for determining suitability or reliability of these products for specific user applications

100000 cycles DC-13 10 W 100 V  
 100000 cycles DC-13 24 W 24 V  
 300000 cycles AC-14 72 VA 240 V 0.7  
 300000 cycles AC-14 80 VA 200 V 0.7  
 300000 cycles AC-15 36 VA 240 V 0.35  
 300000 cycles AC-15 60 VA 200 V 0.35  
 300000 cycles DC-13 3 W 100 V  
 300000 cycles DC-13 7.2 W 24 V

Status LED	1 LED per channel green for channel diagnostic 1 LED red for ERR 1 LED red for I/O 1 LED green for RUN
Product weight	0.15 kg

## Environment

IP degree of protection	IP20
Product certifications	CE UL CSA Merchant Navy EAC RCM
Standards	EN/IEC 61010-2-201 UL 61010-2-201 CSA C22.2 No 61010-2-201 EN/IEC 61131-2
Dielectric strength	2000 V AC at 50/60 Hz 1 min
Vibration resistance	3 gn
Shock resistance	30 gn
Ambient air temperature for storage	-40...85 °C
Ambient air temperature for operation	0...60 °C
Relative humidity	5...95 % without condensation 55 °C
Protective treatment	TC
Operating altitude	0...2000 m 2000...5000 m (with derating factor)

## Offer Sustainability

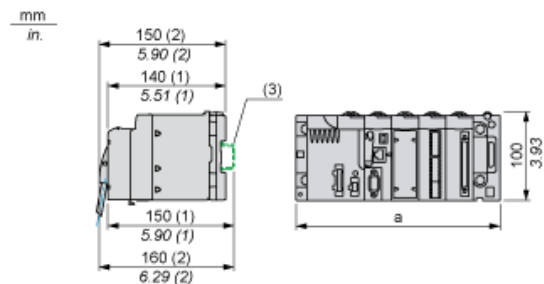
Sustainable offer status	Green Premium product
RoHS (date code: YYWW)	Compliant - since 0722 - Schneider Electric declaration of conformity <a href="#">Schneider Electric declaration of conformity</a>
REACH	Reference not containing SVHC above the threshold <a href="#">Reference not containing SVHC above the threshold</a>
Product environmental profile	Available <a href="#">End of life manual</a>
Product end of life instructions	Available

## Contractual warranty

Warranty period	18 months
-----------------	-----------

Modules Mounted on Racks

Dimensions

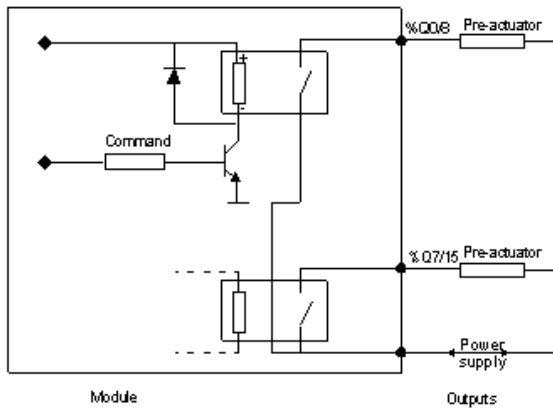


- (1) With removable terminal block (cage, screw or spring).
- (2) With FCN connector.
- (3) On AM1 ED rail: 35 mm wide, 15 mm deep. Only possible with BMXXBP0400/0400H/0600/0600H/0800/0800H rack.

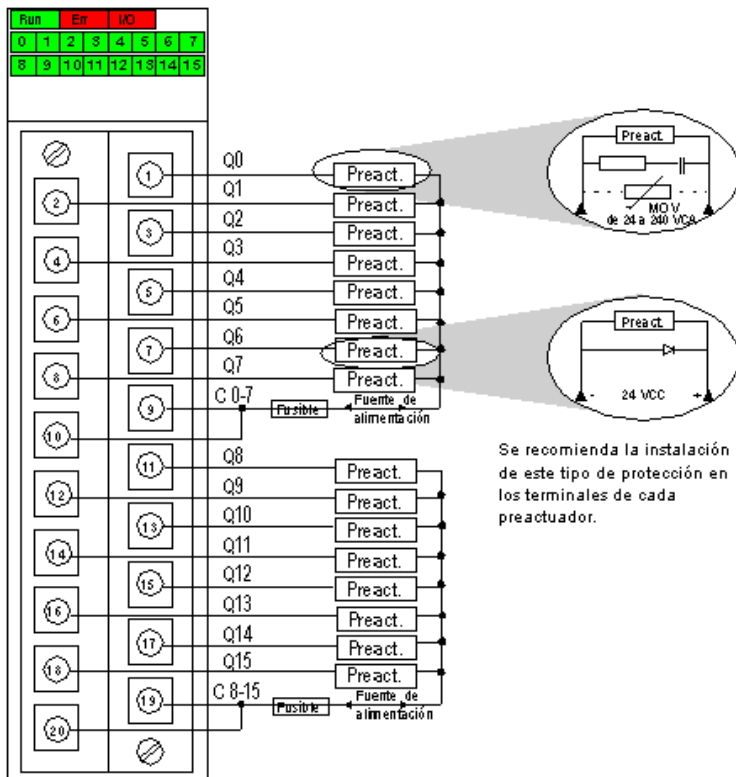
Rack references	a in mm	a in in.
BMXXBP0400 and BMXXBP0400H	242.4	09.54
BMXXBP0600 and BMXXBP0600H	307.6	12.11
BMXXBP0800 and BMXXBP0800H	372.8	14.68
BMXXBP1200 and BMXXBP1200H	503.2	19.81

Connecting the Module

Output Circuit Diagram



Module Connection



Se recomienda la instalación de este tipo de protección en los terminales de cada preactuador.

power supply 24VDC or 24...240 VAC  
fuse 1 fast blow fuse of 12 A for each 8-channel group