

Type BMS PCB Mounted Fuse Holder For Micro Fuses (FMS/TMS)



www.optifuse.com

(619) 593-5050

Specifications:

PCB Mounted Fuse Holder

Material: Thermoplastic, UL94-V0

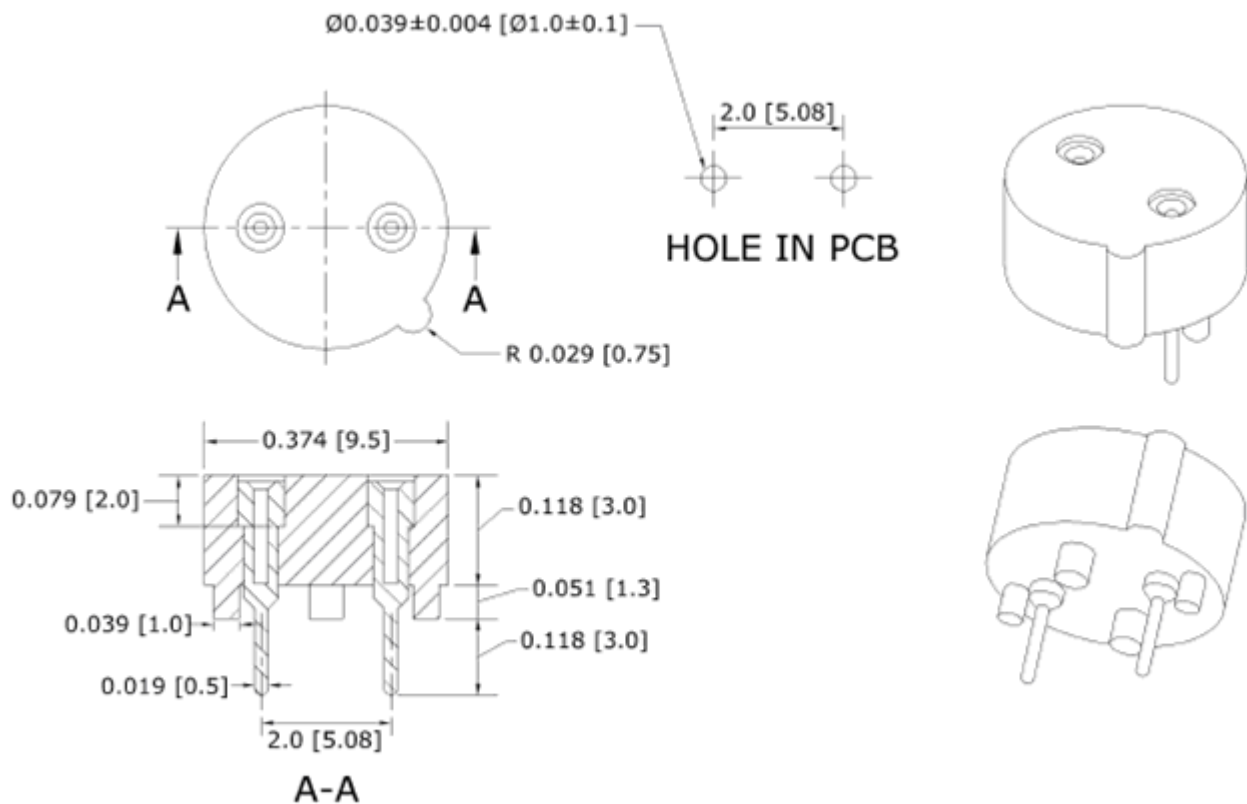
Polyester PCT

Terminal: Copper Alloy; solderable tinned

Rating: 250V, 6.3A, 1.6W

For use with Micro Fuses – FMS(-E) / TMS(-E)

Mechanical Dimensions: Inches [mm]



Warning:



- Operation beyond the specified maximum ratings or improper use may result in damage and possible electrical arcing and/or flame.
- Fuse Holders are not intended for circuit disconnect. All power should be disconnected before removing fuse.
- Avoid contact of Fuse Holder with chemical solvent. Prolonged contact may damage the device performance.