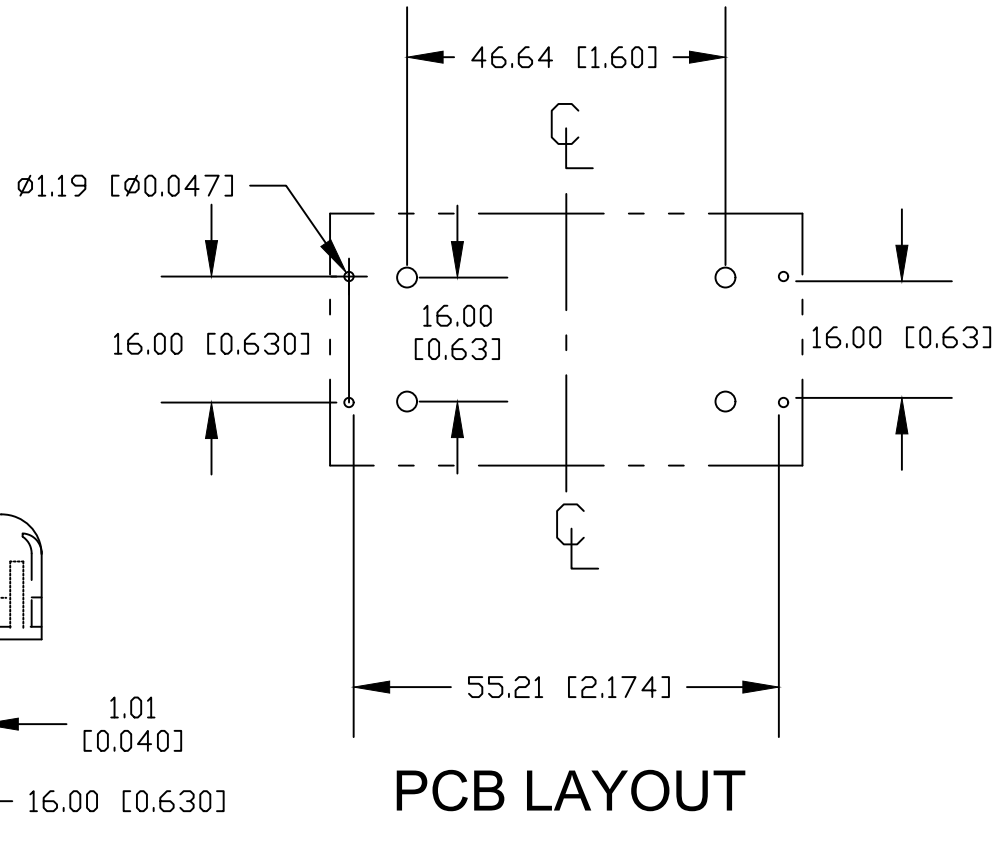
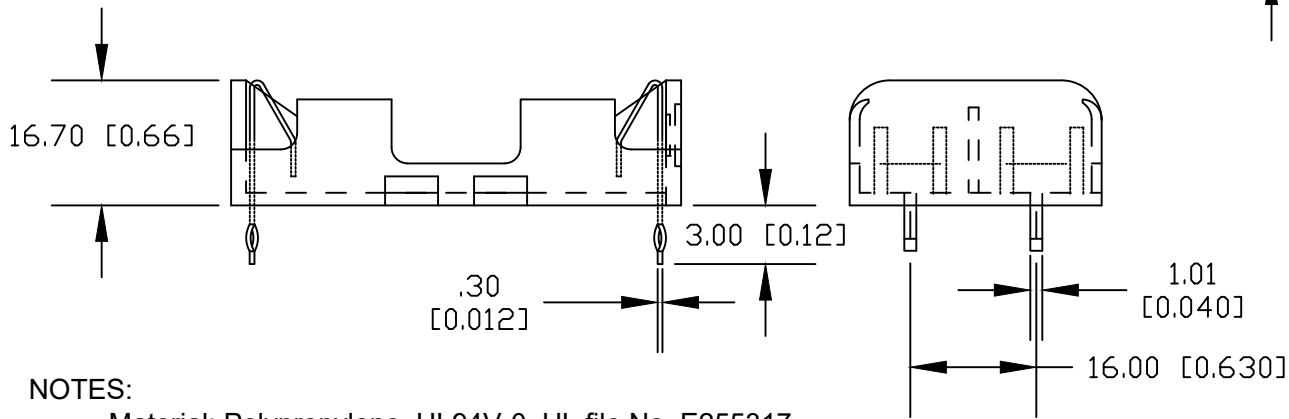



Date	SYM	REVISION RECORD	AUTH	DR.	CK.
4/06/18	F	Dim. 55.21 was 54.49 Dim. 16.00 was 14.97	T.B.	B.S.	
6/11/18	G	UPDATED MOUNTING HOLE LOCATION AND DIMENSIONS	T.B.	B.S.	
04/12/19	H	MILLISECONDS WAS MICRO SECONDS	T.B.	B.S.	



NOTES:
 Material: Polypropylene, UL94V-0, UL file No. E255317
 Contacts: 302 Stainless Steel Spring Temper, Nickel Plated
 Cover: Polypropylene, UL94V-0
 Heat Deflection Temperature: 90°C
 Vibration Test: 10-50-10 Hz swept in 60 seconds
 X,Y,Z direction: 1 hour each direction
 Result: No dislodgement of the cell or damage
 No discontinuity over 10 micro-seconds
 Shock Test: Half sine wave acceleration 150G. 6 milliseconds
 3 shock pulses each direction per axis, total of 18 pulses
 Result: No evidence of physical damage.
 ROHS COMPLIANT

Tolerance (Inches)	 Memory Protection Devices, Inc 200 Broad Hollow Road, Farmingdale, New York 11735		
Decimal ±.5 (.020)		Scale	Drawn By B.S.
Fractional ±.8 (.030)	Title 2 "AA" BATTERY HOLDER FOR MEMORY BACKUP		
Angular ± 3°	Date 04/12/19	Drawing Number BK-6100-PC4	
		Approved By T.B.	