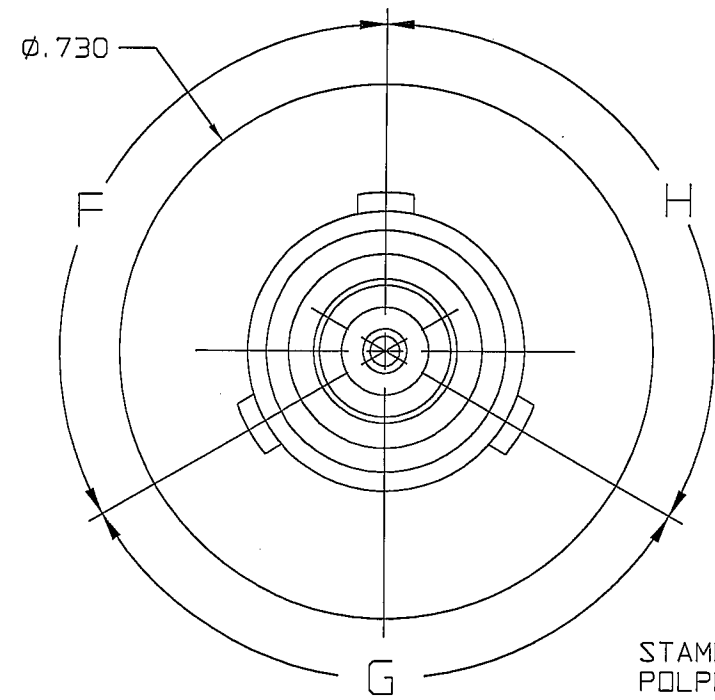


POLARIZATION CHART			
KEYING LETTER	F DEGREES	G DEGREES	H DEGREES
T	100°	150°	110°
U	120°	130°	110°
V	115°	130°	115°
W	125°	110°	125°
X	130°	100°	130°
Y	110°	140°	110°
Z	100°	160°	100°
S	135°	135°	90°
NONE	120°	120°	120°

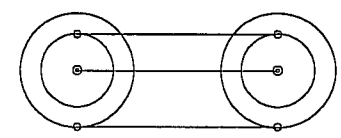
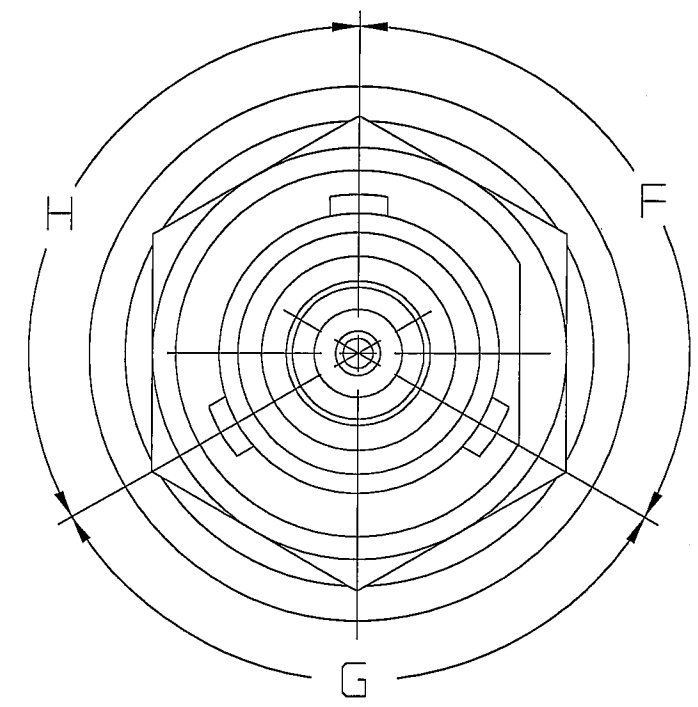
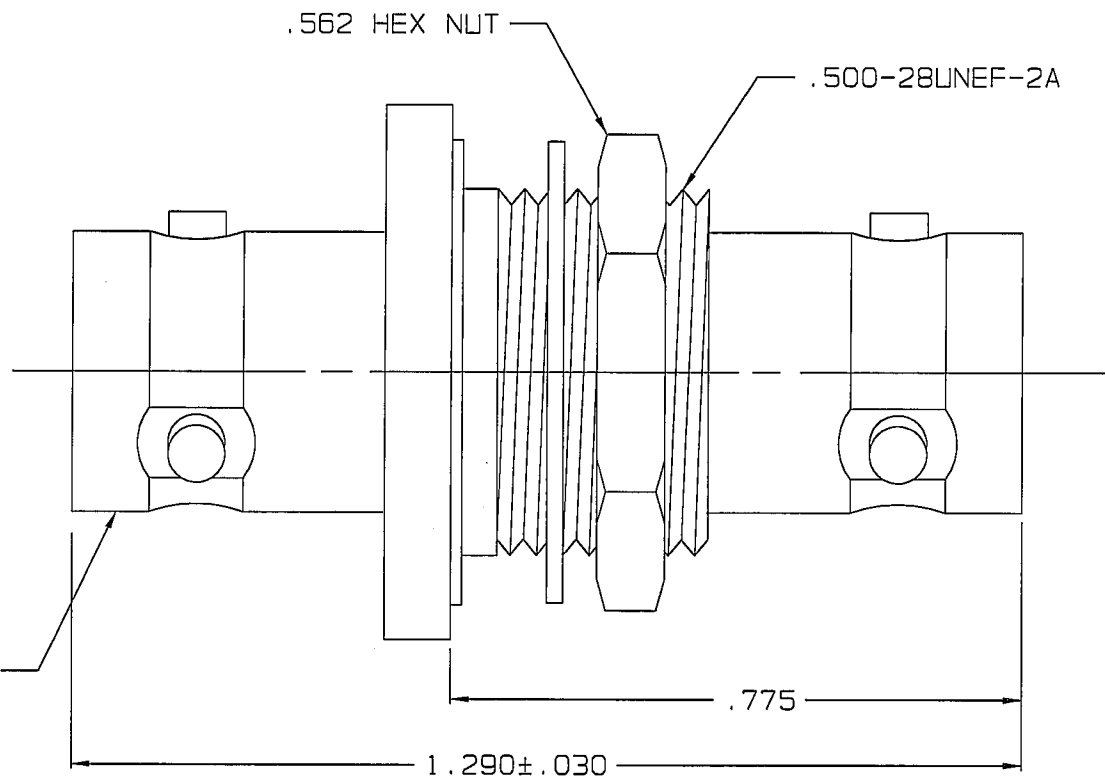
DATA CONTAINED IN THIS DOCUMENT IS PROPRIETARY TO TROMPETER ELECTRONICS INC. AND SHALL NOT BE DISCLOSED, COPIED OR USED FOR PROCUREMENT OR MANUFACTURE WITHOUT EXPRESS WRITTEN PERMISSION OF TROMPETER ELECTRONICS INC.

REVISIONS		3-0002	SH 1
REV	DESCRIPTION	DATE	APPROVED
P	REVISED PER ECO 15112	7/10/03	WZ

**RED INDICATES ORIGINAL**



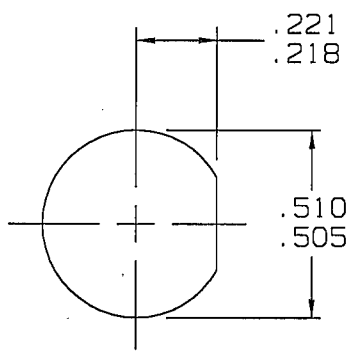
STAMPED POLPRIZATION KEY BOTH ENDS



SCHEMATIC

5. EXAMPLE OF COMPLETE MODEL NO:  

BASIC MODEL NO	BJ78 Y	KEY LTR (POLARIZATION)
4. CONCENTRIC TWINAX/TRIAX TRB BULKHEAD MOUNT FEEDTHRU RECEPTACLE
3. MAX PANEL THK .187
2. FINISH: TFS-1A (NICKEL)
1. ALL DIM ARE IN INCHES



RECOMMENDED  
PANEL CUTOUT  
SCALE: 2/1

INTERPRET DRAWING PER MIL-STD-100 DIMENSIONS ARE IN INCHES AND INCLUDE FINISH THICKNESS UNLESS OTHERWISE SPECIFIED		TOL: UNLESS SPECIFIED .XX .XXX ±.005 .XXXX		<b>TROMPETER</b> ELECTRONICS, INC.
DRAWN AAH	DATE 7-7-03	MATERIAL:	TITLE: BJ78	
CHECKED JAM	DATE 7-8-03	FINISH:	SIZE CAGE CODE B 14949	DRAWING NO. 3-0002
QUALITY WZ	DATE 7/10/03	DO NOT SCALE DWG	SCALE 4/1	DATE 1-31-61
MANAGER WZ	DATE 7/10/03			SHEET 1C
APPROVED WZ	DATE 7/10/03			REV. P
NEXT ASSY	CAD FILE NO. 3-0002P			