

BGSA147ML10

Ultra Low Resistance Antenna Tuning SP4T

Features

- Designed for high-linearity antenna tuning switching and RF tuning applications
- Ultra low R_{ON} resistance of 0.8Ω at each RF port in ON state
- Individually controlled reflective open or short to ground OFF ports to eliminate unwanted antenna resonances
- Low C_{OFF} capacitance of 155 fF at each port in OFF state
- High RF operating voltage handling above 45 V in OFF state
- MIPI RFFE 2.1 compliant control interface
- External USID_sel pin enabling 3 default USID addresses
- No RF parameter change within supply voltage range
- No blocking capacitors required if no DC applied on the RF lines
- No power supply decoupling required
- Small form factor 1.1 mm x 1.5 mm x 0.39 mm (MSL1, 260° C per JEDEC J-STD-020)
- RoHS and WEEE compliant package



Description

BGSA147ML10 is a Single-Pole Four Throws (SP4T) Antenna Tuning switch optimized for RF applications up to 7.125 GHz. Its MIPI RFFE digital control interface allows easy implementation and best flexibility when operated in cellular mobile RF Front-End designs.

BGSA147ML10 is made of 4 ultra-low ON resistance / low OFF capacitance series switches and 4 shunt to ground switches enabling on-demand open-reflective or short-reflective OFF ports behaviour. This last feature is of great value to reduce antenna engineer development time in case of unwanted antenna resonance or to improve antenna efficiency with less component tuning effort.

Unlike GaAs RF switches, highly linear RF performance is reached at all signal levels within the operating conditions. High RF voltage ruggedness and individually programmable shunt to ground switches on each RF throw make BGSA147ML10 particularly efficient for switching inductors and capacitors in RF matching and Antenna Tuning circuits.

Block diagram and ordering information

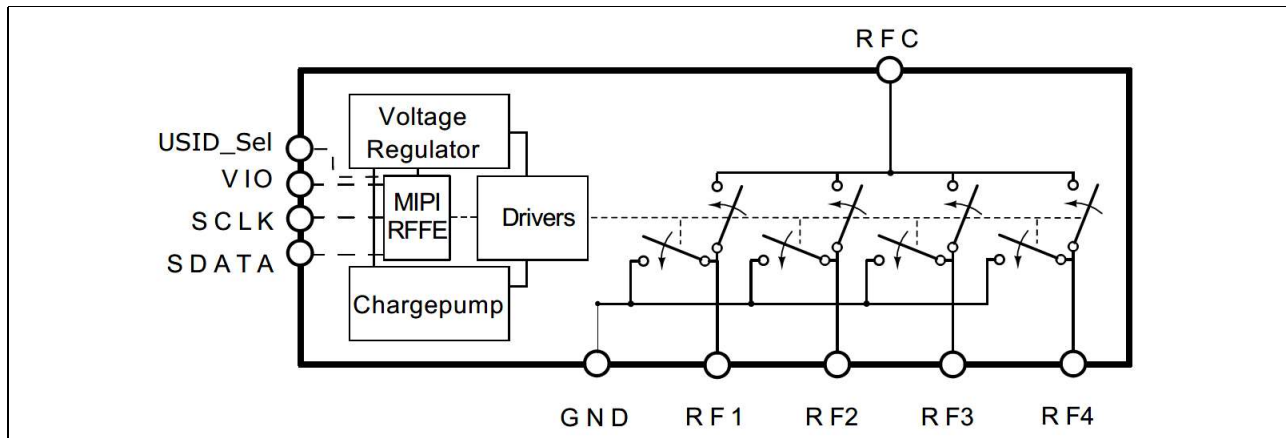


Figure 1 BGSA147ML10 Block diagram

Table 1 Ordering Information

Type	Package	Marking
BGSA147ML10	TSLP-10-3	A7



WEEE Compliant
Package



Halogen-Free
PB Free



RoHS

Trademarks

All referenced product or service names and trademarks are the property of their respective owners.

Edition 2019-09-16

Published by

Infineon Technologies AG

81726 München, Germany

© 2021 Infineon Technologies AG.

All Rights Reserved.

Do you have a question about this document?

Email: erratum@infineon.com

Document reference

ifx1

IMPORTANT NOTICE

The information given in this document shall in no event be regarded as a guarantee of conditions or characteristics ("Beschaffenheitsgarantie").

With respect to any examples, hints or any typical values stated herein and/or any information regarding the application of the product, Infineon Technologies hereby disclaims any and all warranties and liabilities of any kind, including without limitation warranties of non-infringement of intellectual property rights of any third party.

In addition, any information given in this document is subject to customer's compliance with its obligations stated in this document and any applicable legal requirements, norms and standards concerning customer's products and any use of the product of Infineon Technologies in customer's applications.

The data contained in this document is exclusively intended for technically trained staff. It is the responsibility of customer's technical departments to evaluate the suitability of the product for the intended application and the completeness of the product information given in this document with respect to such application.

For further information on the product, technology, delivery terms and conditions and prices please contact your nearest Infineon Technologies office (www.infineon.com).

WARNINGS

Due to technical requirements products may contain dangerous substances. For information on the types in question please contact your nearest Infineon Technologies office.

Except as otherwise explicitly approved by Infineon Technologies in a written document signed by authorized representatives of Infineon Technologies, Infineon Technologies' products may not be used in any applications where a failure of the product or any consequences of the use thereof can reasonably be expected to result in personal injury.