

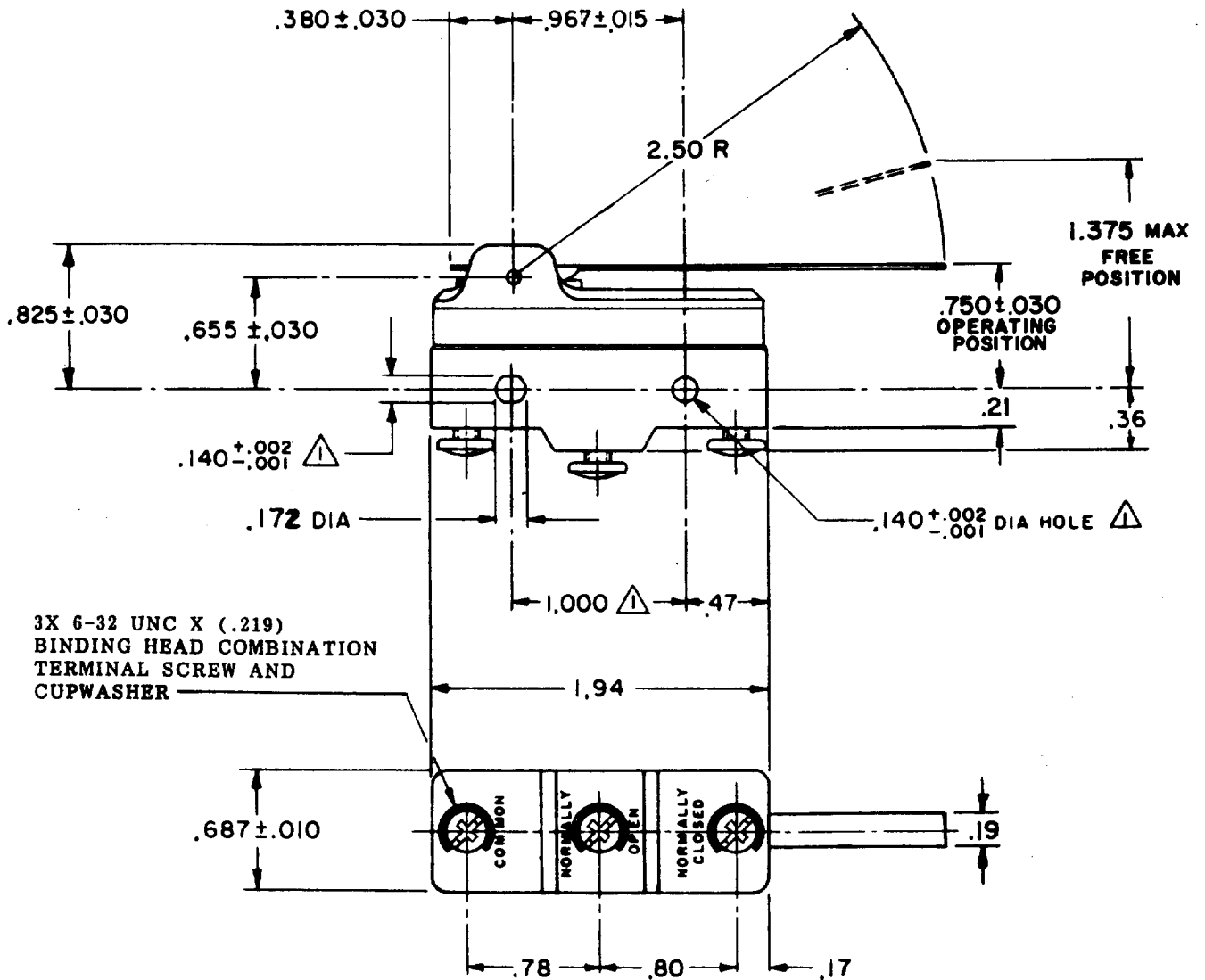


MICRO SWITCH

FREEPORT ILLINOIS
A DIVISION OF HONEYWELL
FED. MFG. CODE 91929

SWITCH - BASIC

CATALOG LISTING
BE-2RV-A2



NOTE -
 - MOUNTING HOLES WILL ACCEPT PINS OR SCREWS OF .139 MAX DIA ON $1.000 \pm .002$ CENTERS

THIS DRAWING COVERS A PROPRIETARY ITEM AND IS THE PROPERTY OF MICRO SWITCH, A DIVISION OF MINNEAPOLIS-HONEYWELL REGULATOR CO. THIS DRAWING IS NOT TO BE COPIED OR USED WITHOUT THE APPROVAL OF MICRO SWITCH.

CHARACTERISTICS

OPERATING FORCE ----- 2 1/2 OZ MAX
 RELEASE FORCE ----- 1/2 OZ MIN
 PRETRAVEL ----- .625 MAX
 DIFFERENTIAL TRAVEL ----- .109 MAX
 OVERTRAVEL ----- .078 MIN

ELECTRICAL DATA

CONTACT ARRANGEMENT
 S P D T

25-A-125, 250, 480 VAC 1 HP-125 VAC;
 2 HP-250 OR 480 VAC; PILOT DUTY
 750 VA-480 VAC, MAX; 60/75°C (Cu)



SCALE FULL

DO NOT SCALE PRINT

UNLESS OTHERWISE SPECIFIED
 DIMENSIONS ARE IN INCHES
TOLERANCES ARE:

ONE PLACE (.0) $\pm .030$
 TWO PLACE (.00) $\pm .015$
 THREE PLACE (.000) $\pm .005$
 ANGLES \pm

WEIGHT

BE-2RV-A2

M

DRAWING NUMBER

ISSUE

7

8

8

8

REVISIONS

A CO30432

8 MAY 72

B CO

27 JUL 73

C CO36627

8 APR 76

D CO

24 JAN 86

E CO-

73287-J

JAL

22 NOV 93

F CO

77590

SAD

9 JUN 94

LEB

22 MAR 83

FO-80378

DRAWN

REPLACES

RELEASE NO. SR 10871

CHECK

25 APR 63

BRJ

CHECK

25 APR 63

DAW

CHECK

25 APR 63

25 APR 63

25 APR 63