

MICRO SWITCH

FREERPORT ILLINOIS U S A
A DIVISION OF HONEYWELL
FED MFG CODE 81928

SWITCH-BASIC

CATALOG LISTING

BE-2RV24-A2

BE-2RV24-A2

M

DRAWING NUMBER

26

X

ISSUE

X

REPLACES

PR-3691

RELEASE NO

CHECK

REVISIONS

A	C032973	O B W	5 DEC 73
B	C036627	C J H	8 APR 76
C	CO-58782	W J M	24 JAN 86
D	CO-73287-J	J A L	22 NOV 93
E	CO-77588	M A M	29 MAR 94

CHECK

12 NOV 73

CHECK

12 NOV 73

CHECK

LSD

CHECK

12 NOV 73

CHECK

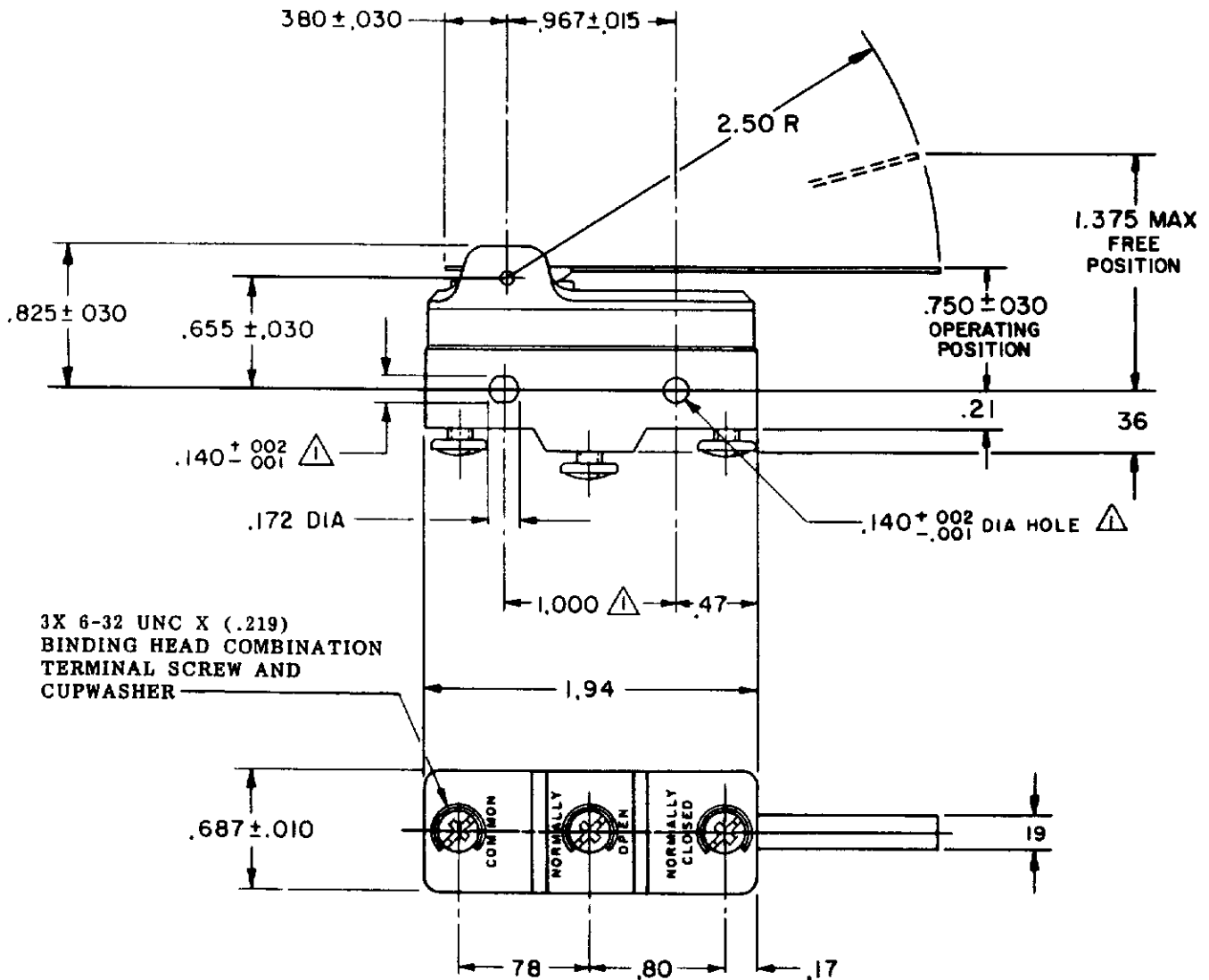
12 NOV 73

DRAWN

R C R 9

NOV 73

FO-52848



NOTE -
 ▲ - MOUNTING HOLES WILL ACCEPT PINS OR SCREWS OF .139 MAX DIA ON 1.000 ± .002 CENTERS
 2 - SWITCH WILL WITHSTAND TEMPERATURE OF 250° F

THIS DRAWING COVERS A PROPRIETARY ITEM AND IS THE PROPERTY OF MICRO SWITCH, A DIVISION OF HONEYWELL. THIS DRAWING IS NOT TO BE COPIED OR USED WITHOUT THE APPROVAL OF MICRO SWITCH.

CHARACTERISTICS

OPERATING FORCE ----- 2 1/2 OZ MAX
 RELEASE FORCE ----- 1/2 OZ MIN
 PRETRAVEL ----- .625 MAX
 DIFFERENTIAL TRAVEL ----- .109 MAX
 OVERTRAVEL ----- .078 MIN

ELECTRICAL DATA

CONTACT ARRANGEMENT
 SPDT
 25-A-125, 250, 480 VAC 1 HP-125 VAC,
 2 HP-250 OR 480 VAC, PILOT DUTY
 750 VA-480 VAC, MAX, 60/75°C (Cu)



SCALE FULL

DO NOT SCALE PRINT
 UNLESS OTHERWISE NOTED
 DIMENSIONS ARE IN INCHES
TOLERANCES ARE
 ONE PLACE (0) ± .030
 TWO PLACE (00) ± .015
 THREE PLACE (000) ± .005
 ANGLES ±
 WEIGHT