

# MICRO SWITCH

FREERPORT ILLINOIS, U.S.A  
A DIVISION OF HONEYWELL

FED. MFG. CODE 81829

# SWITCH - BASIC

CATALOG LISTING

## BE-1RV52-A4

BE-1RV52-A4

PAGE 1 OF 1

M

DRAWING NUMBER

8

ISSUE

REPLACES

RELEASE NO. PR-4032

CHECK

REVISIONS

A	NEW DWG PR-4032
D B W	10 APR 74
B	CO 36627 C J H 6 APR 76
C	CO 58782 W J M 24 JAN 86
D	CO 73287-6 J A L 20 OCT 93
E	CO 79599F J J A 24 FEB 95
F	CO 194178 L J K 22 MAR 99

CHECK

12 APR 74

CHECK

12 APR 74

CHECK

12 APR 74

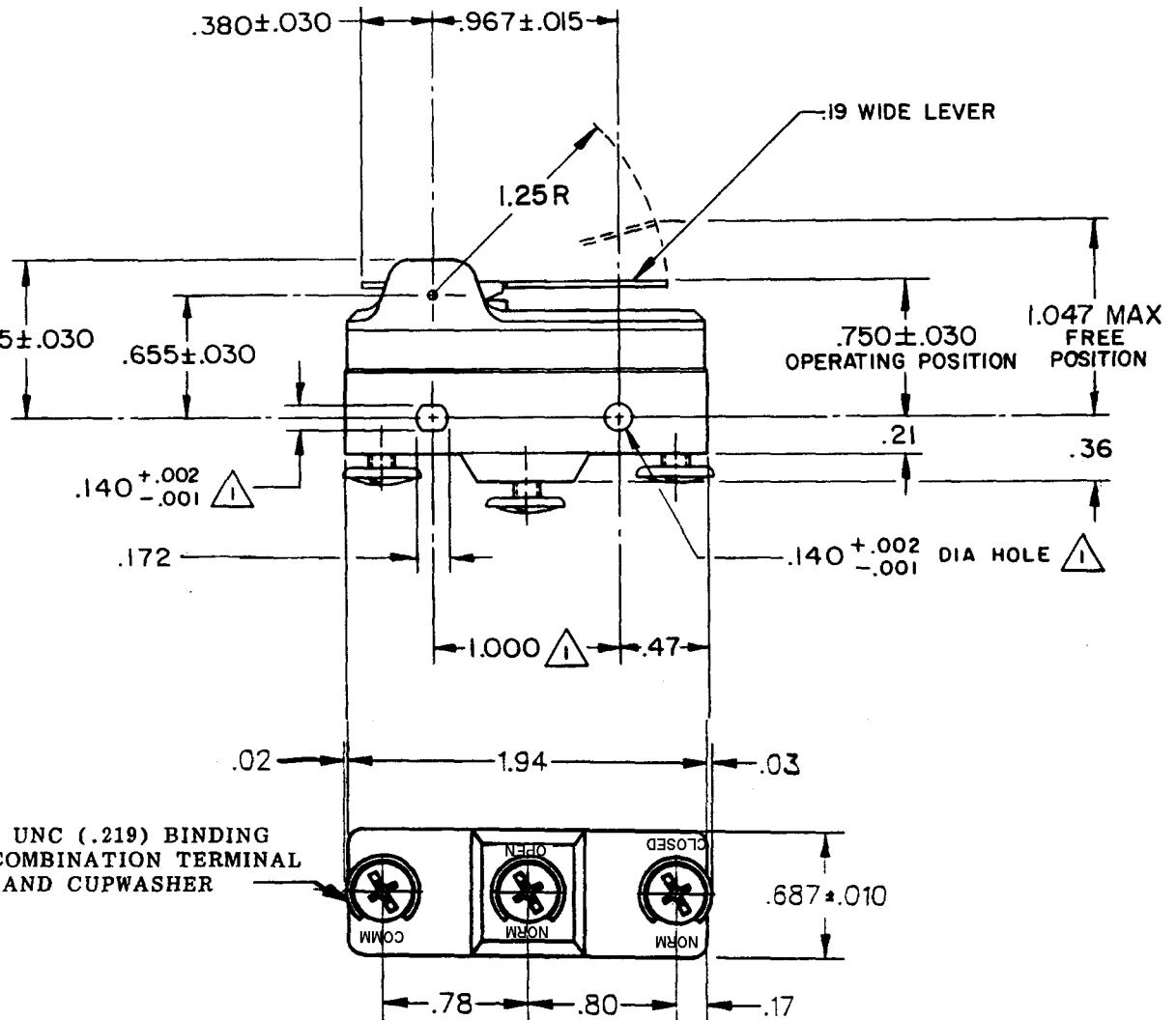
CHECK

12 APR 74

CHECK

12 APR 74

3X 8-32 UNC (.219) BINDING  
HEAD COMBINATION TERMINAL  
SCREW AND CUPWASHER



NOTE -  
MOUNTING HOLES WILL ACCEPT PINS OR SCREWS  
OF .139 MAX DIA ON 1.000 CENTERS  
2 - SWITCH WILL WITHSTAND TEMPERATURE OF 250°

THIS DRAWING COVERS A PROPRIETARY ITEM AND IS THE PROPERTY OF MICRO SWITCH, A DIVISION OF HONEYWELL. THIS DRAWING IS NOT TO BE COPIED OR USED WITHOUT THE APPROVAL OF MICRO SWITCH.

### CHARACTERISTICS

OPERATING FORCE	4 OZ MAX
RELEASE FORCE	1.5 OZ MIN
PRETRAVEL	.266 MAX
DIFFERENTIAL TRAVEL	.030 MAX
OVERTRAVEL	.050 MIN

### ELECTRICAL DATA

CONTACT ARRANGEMENT S P D T
25-A-125, 250, 480 VAC 1 HP-125 VAC; 2 HP-250 OR 480 VAC; PILOT DUTY 750 VA-480 VAC, MAX; 60/75°C (Cu)



### SCALE FULL

DO NOT SCALE PRINT
UNLESS OTHERWISE NOTED
DIMENSIONS ARE IN INCHES
<b>TOLERANCES ARE</b>
ONE PLACE (.01) ±.030
TWO PLACE (.00) ±.015
THREE PLACE (.000) ±.005
ANGLES ±
WEIGHT

FORMTEK

FO-52848

DRAWN

D B W 10 APR 74