

X111450-BE

REPLACES

PR-24144

RELEASE NO.

CATALOG LISTING  
**BE-1RV320-A4**  
PAGE 1 OF 1

ISSUE  
**M**  
2

CHECK

REVISIONS  
A 0010945

KR 02FEB05

02FEB05

AK

CHECK

12 JUL 99

J A F

CHECK

12 JUL 99

J A F

CHECK

12 JUL 99

J A F

CHECK

12 JUL 99

J A F

CHECK

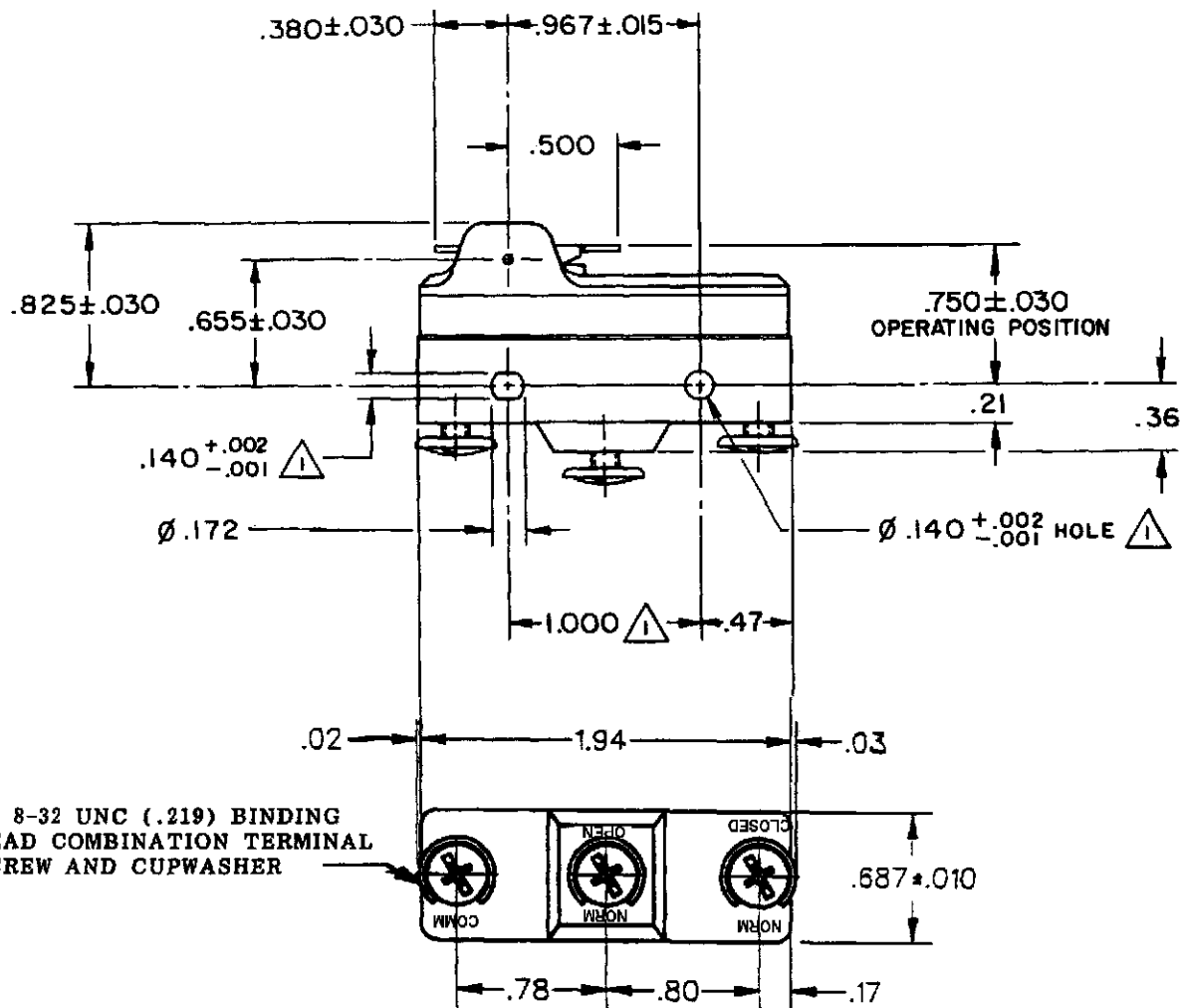
12 JUL 99

J A F

CHECK

12 JUL 99

J A F



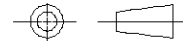
3X 8-32 UNC (.219) BINDING  
HEAD COMBINATION TERMINAL  
SCREW AND CUPWASHER

- NOTES**
- ⚠ MOUNTING HOLES WILL ACCEPT PINS OR SCREWS OF Ø.139 MAX ON 1.000 CENTERS
  - 2 - SWITCH WILL WITHSTAND TEMPERATURE OF 250°

ANSI Y14.5M-1982 APPLIES

THIS DRAWING COVERS A PROPRIETARY ITEM AND IS THE PROPERTY OF MICRO SWITCH, A DIVISION OF HONEYWELL. THIS DRAWING IS NOT TO BE COPIED OR USED WITHOUT THE APPROVAL OF MICRO SWITCH.

THIRD ANGLE PROJECTION



**CHARACTERISTICS**

OPERATING FORCE - - - - - 10 OZ MAX  
RELEASE FORCE - - - - - 3.5 OZ MIN  
DIFFERENTIAL TRAVEL - - - - .020 MAX  
OVERTRAVEL - - - - - .030 MIN

**ELECTRICAL DATA**

CONTACT ARRANGEMENT  
S P D T

25-A-125, 250, 480 VAC 1 HP - 125 VAC;  
2HP 250 VAC OR 480 VAC; PILOT DUTY  
750 VA - 480 VAC, MAX; 60/75°C (Cu)



**SCALE FULL**

DO NOT  
SCALE PRINT

UNLESS OTHERWISE SPECIFIED  
TOLERANCES ARE

ONE PLACE (.0) ±.030  
TWO PLACE (.00) ±.015  
THREE PLACE (.000) ±.005  
ANGLES ±

WEIGHT

RASTER

DRAWN

DLT 12 JUL 99