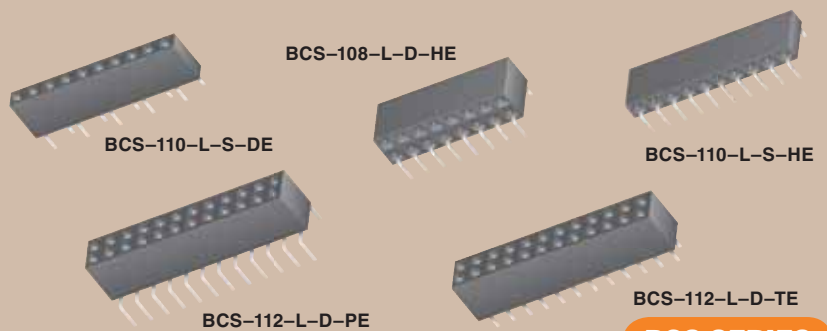




(2,54 mm) .100"



BCS SERIES

TIGER CLAW™ PASS-THROUGH SOCKET

Mates with:
TSW, MTSW, HTSW,
HMTSW, TSS, ZSS,
DW, EW, ZW, HW, TSM,
MTLW, PHT

SPECIFICATIONS

For complete specifications see www.samtec.com?BCS

Insulator Material:
Black Liquid Crystal Polymer
Contact Material:
Phosphor Bronze
Plating:
Au or Sn over
50µ" (1,27 µm) Ni
Current Rating (BCS/TSW):
4.6 A per pin
(1 pin powered per row)
Voltage Rating:
475 VAC (-TE/-DE/-PE mated with TSM)
450 VAC

(-HE mated with TSW)
Operating Temp Range:
-55°C to +125°C

Contact Resistance:
10 mΩ

Insertion Depth:
(4,34 mm) .171" to
(7,24 mm) .285" from top,
(5,64 mm) .222" plus board
thickness minimum
from bottom. -HE is
(4,34 mm) .171" to
(6,35 mm) .250"

Insertion Force:
(Single contact only)
5 oz (1,39 N) avg.
(.025" (0,64 mm) SQ pin)

Withdrawal Force:
(Single contact only)
3 oz (0,83 N) avg.
(.025" (0,64 mm) SQ pin)

RoHS Compliant:

Yes
Lead-Free Solderable:
Yes

RECOGNITIONS

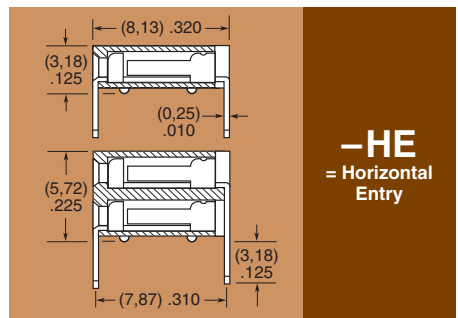
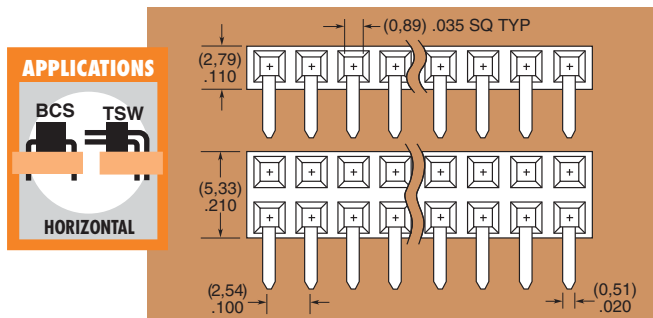
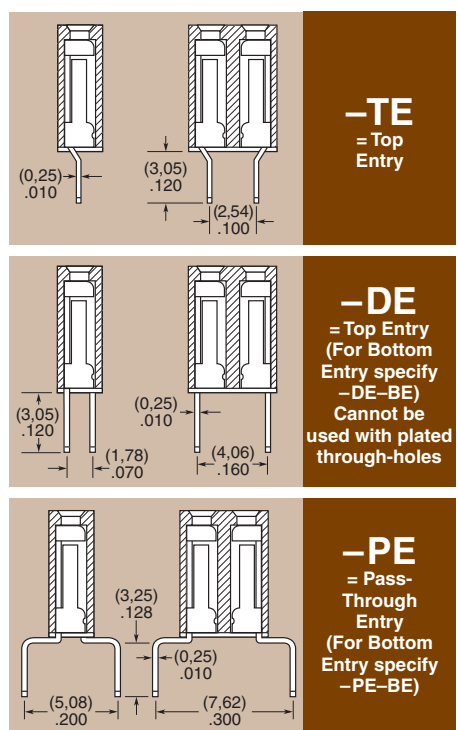
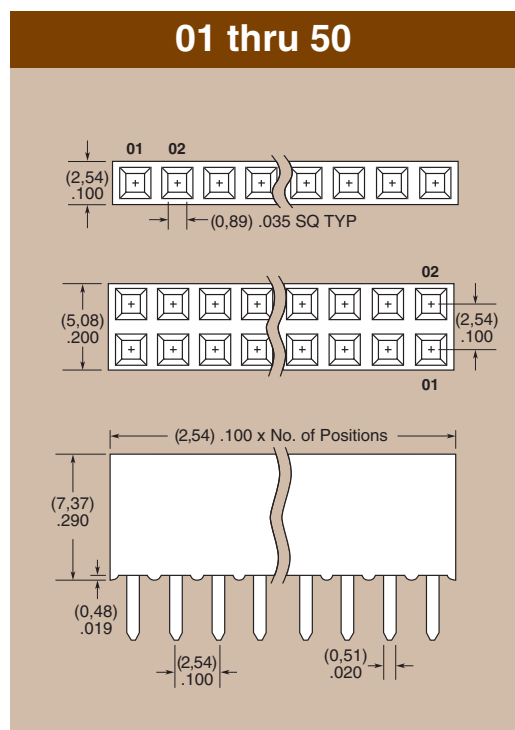
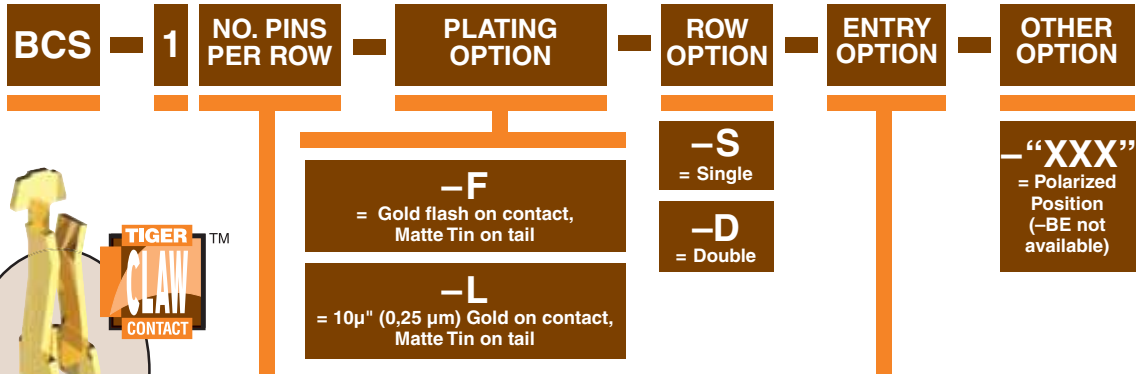
For complete scope of recognitions see www.samtec.com/quality



ALSO AVAILABLE (MOQ Required)

- Other platings
- Contact Samtec.

Note: Some lengths, styles and options are non-standard, non-returnable.



Due to technical progress, all designs, specifications and components are subject to change without notice.

WWW.SAMTEC.COM