

Crydom

See full Datasheet below...

onlinecomponents.com
THE ONLINE DISTRIBUTOR OF ELECTRONIC COMPONENTS

BUY NOW

 **MASTER**TM
ELECTRONICS

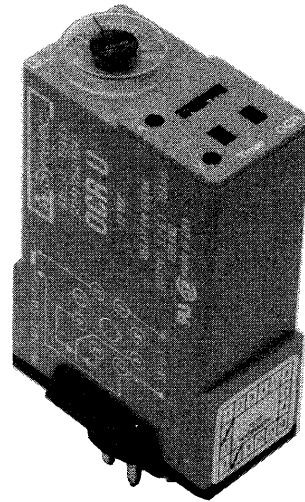
BUY NOW

masterelectronics.com & onlinecomponents.com
are **authorized** e-commerce distributors
of electronic components.

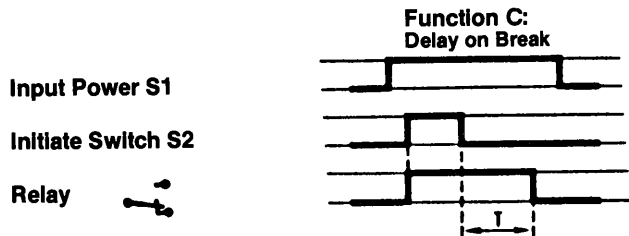
CR U SERIES

DELAY ON BREAK WITH RELAY OUTPUT

UL-E80750 CSA-56339

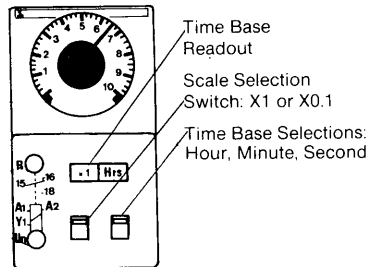


- Multi Timing Range (.1 sec to 10 hours)
- Direct Reading
- Dual Voltage
- SPDT 10 Amp Relay Output
- LED Power ON Indicator
- LED RELAY Indicator



Function C: Input power (S1) is continuously supplied to the timer. When an external initiate switch (S2) is closed, the output relay is energized. Timing begins when the S2 switch opens. At the end of the delay time (T), the output is de-energized and the timer is ready for another cycle. Isolate the initiate switch (S2) from other circuits.

TIME RANGE SELECTION



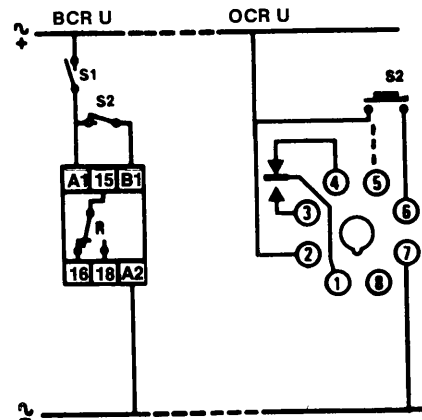
Six Time Ranges can be selected with two front panel switches.

- X 0.1 s — 0.1 to 1 second
- X 1 s — 1 to 10 seconds
- X 0.1 mn — 0.1 to 1 minute
- X 1 mn — 1 to 10 minutes
- X 0.1 hrs — 0.1 to 1 hour
- X 1 hrs — 1 to 10 hours

SPECIFICATIONS:

Input power	220 VAC/24 VAC/DC, 110 VAC/24 VAC/DC, 48 VAC/DC/24 VAC/DC, 12 VDC ± 15%, 50/60 Hz
Maximum power consumption	24 VAC: 1.5 VA 48 VAC: 2 VA 110 VAC: 5 VA 220 VAC: 11 VA
Output	SPDT Relay
Contact material	Ag Cdo
Maximum loading	10A AC resistive 8A DC resistive
Maximum switching voltage	240 VAC 250 VDC
Relay maximum power rating	2400 VA 80W
Transient protection	2500 volts
Mechanical life of relay	30 × 10 ⁴ operation
Electrical life of relay	2 × 10 ⁵ at 2400 VA
Repetition Accuracy	± 0.2% at a constant ambient
Reset time	Function C: 100ms during timing. Minimum contact closure time 20ms
Operating temperature	-4°F to +140°F -20°C to + 60°C
Weight	3.5 oz. (100 grams)

WIRING DIAGRAM



NOTE: When start switch is closed and power is applied, relay energizes. The initiate switch should be isolated from the other circuits. Contact will operate on the same supply as the timer and will have a max load of 5ma. For 24 VAC/DC, select switch on the side of the unit.

ORDERING INFORMATION:

