

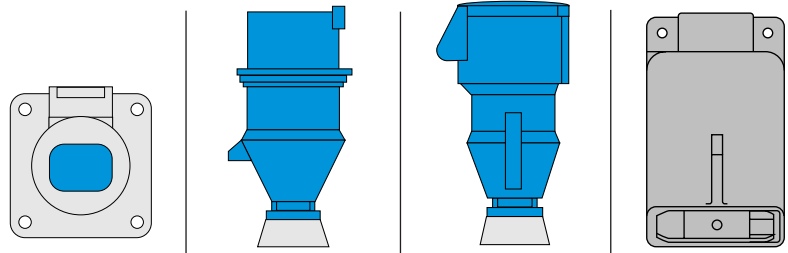
ORDERING DATA



SPLASHPROOF

16 AMP/32 AMP

International Ratings

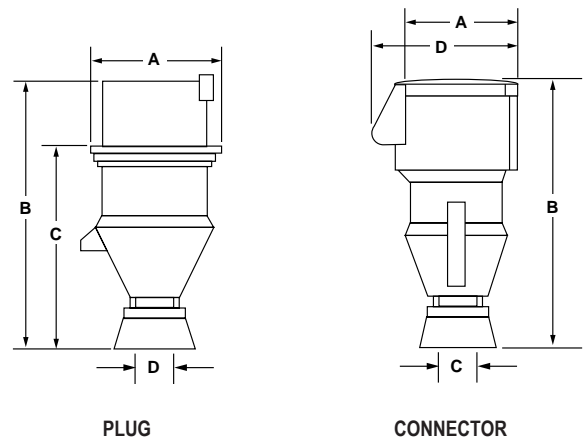


AMPS	POLES AND WIRES	CONFIGURATION Recep./ Conn.	Plug/ Inlet	VOLTAGE	SPLASHPROOF DEVICES			
					RECEPTACLE	PLUG	CONNECTOR	BACK BOX [Ⓞ]
16	2P 3W			100-130	316R4S	316P4S	316C4S	BB201W BB301W
	2P 3W			200-250	316R6S	316P6S	316C6S	BB201W BB301W
	3P 4W			380/415	416R6S	416P6S	416C6S	BB201W BB301W
	4P 5W			200/346 240/415	516R6S	516P6S	516C6S	BB201W BB301W
32	2P 3W			100-130	332R4S	332P4S	332C4S	BB201W BB301W
	2P 3W			200-250	332R6S	332P6S	332C6S	BB201W BB301W

DIMENSIONAL DATA

SPLASHPROOF PLUG

KEY	16A 3-WIRE		16A 4-WIRE		16A 5-WIRE		32A 3-WIRE	
	MM	IN.	MM	IN.	MM	IN.	MM	IN.
A	51	1.99	58	2.26	64	2.50	66	2.57
B	138	5.38	138	5.38	143	5.58	175	6.83
C	102	3.99	102	3.98	107	4.17	130	5.07
D	17	0.66	17	0.66	17	0.66	24.5	0.96

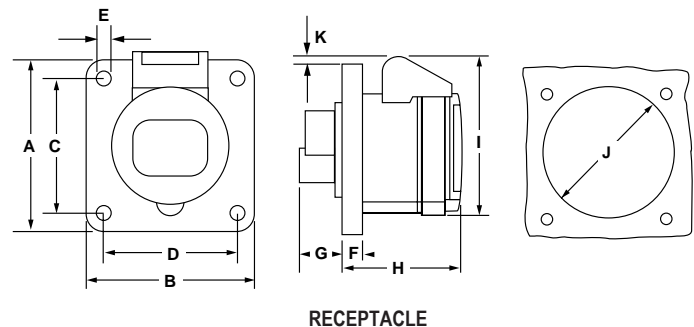


SPLASHPROOF CONNECTOR

KEY	16A 3-WIRE		16A 4-WIRE		16A 5-WIRE		32A 3-WIRE	
	MM	IN.	MM	IN.	MM	IN.	MM	IN.
A	51	1.99	58	2.26	64	2.50	66	2.57
B	150	5.85	151	5.89	155	6.05	188	7.33
C	17	0.66	17	0.66	17	0.66	24.5	0.96
D	71	2.77	79	3.08	85	3.32	93	3.63

SPLASHPROOF RECEPTACLE

KEY	16A 3-WIRE		16A 4-WIRE		16A 5-WIRE		32A 3-WIRE	
	MM	IN.	MM	IN.	MM	IN.	MM	IN.
A	75	2.93	75	2.93	75	2.93	75	2.93
B	75	2.93	75	2.93	75	2.93	75	2.93
C	47	2.34	60	2.34	60	2.34	60	2.34
D	47	2.34	60	2.34	60	2.34	60	2.34
E	5.5	0.22	5.5	0.22	5.5	0.21	5.5	0.21
F	7	0.27	7	0.27	7	0.27	8	0.31
G	17	0.66	26	1.01	17	0.66	36	1.40
H	51	1.99	53	2.07	53	2.07	62	2.42
I	70	2.73	80	3.12	85	3.32	90	3.51
J	45	1.76	45	1.76	55	2.15	60	2.34
K	3.5	0.4	7	0.27	11.5	1.45	12	.47



[Ⓞ] Requires AP2030 adapter plate - order separately. Also see Direct Mounting Back Box (DM20301) page J-13. Specifications are subject to change without notice.