

MICRO SWITCH

FREEPORT ILLINOIS, U.S.A
A DIVISION OF HONEYWELL
FED. MFG. CODE 91929

SWITCH-BASIC

CATALOG LISTING

BA-5RV310-A2

ABT6110

BA-5RV310-A2

PAGE 1 OF 1

M

DRAWING NUMBER

5

ISSUE

REPLACES X84696-BA

RELEASE NO. PR-15661

CHECK

REVISIONS

A	CO-73287	17 FEB 06
B	77530	17 FEB 06
C	CO93346	17 FEB 06
D	0018388	17 FEB 06

CHECK

CHECK

CHECK

CHECK

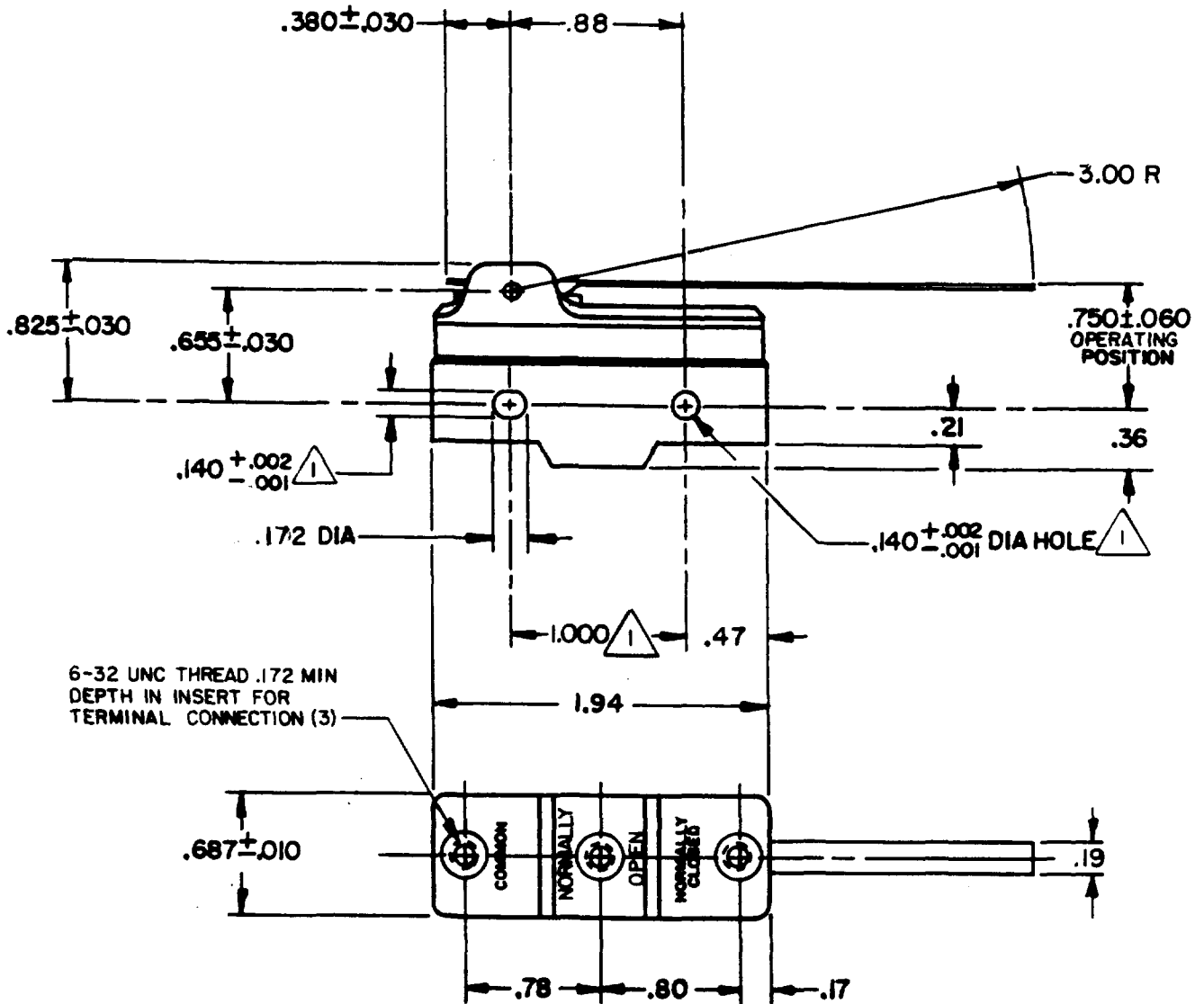
CHECK

CHECK

CHECK

CHECK

CHECK



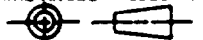
6-32 UNC THREAD .172 MIN DEPTH IN INSERT FOR TERMINAL CONNECTION (3)

NOTES

- ▲ MOUNTING HOLES WILL ACCEPT PINS OR SCREWS OF .139 MAX DIA ON 1.000±.002 CENTERS
- 2 - 6-32 UNC X .219 REF BINDING HEAD COMBINATION TERMINAL SCREW (3), AND CUPWASHER (3), FURNISHED UNASSEMBLED

THIS DRAWING COVERS A PROPRIETARY ITEM AND IS THE PROPERTY OF MICRO SWITCH, A DIVISION OF HONEYWELL. THIS DRAWING IS NOT TO BE COPIED OR USED WITHOUT THE APPROVAL OF MICRO SWITCH.

THIRD ANGLE PROJECTION



CHARACTERISTICS

OPERATING FORCE ----- 1/4 OZ MAX
RELEASE FORCE ----- 1/4 OZ MIN
DIFFERENTIAL TRAVEL ----- .200-.312
OVERTRAVEL ----- .180 MIN

ELECTRICAL DATA

CONTACT ARRANGEMENT
S P D T
L23 20A 125, 250, OR 480 VAC
10A 125 VAC "L"
1 HP 125 VAC, 2 HP 250 VAC
1/2 A 125 VDC, 1/4 A 250 VDC
L288
L308
L315
20(3)A 250V ~ T85 5E4

SCALE FULL

DO NOT SCALE PRINT

TOLERANCES

APPLY TO DESIGN DIMS. CONVERSIONS ARE ONLY FOR REFERENCE. UNLESS NOTED, TOLERANCES ARE 2:

DES. PLACES	NO.	TOL.	DES. PLACES	NO.	TOL.
1	1.25	0.005	1	0.005	0.005
2, 3	0.005	0.002	2, 3	0.002	0.002
4, 5	0.002	0.001	4, 5	0.001	0.001

DESIGN UNITS

SI METRIC

US CUSTOMARY

WEIGHT

FORMTEK

FO-52948-A

DRAWN

J A S I JUNE 87