



MICRO SWITCH

FREEPORT, ILLINOIS, U.S.A.
A DIVISION OF HONEYWELL

FED. MFG. CODE 91929

SWITCH-BASIC

CATALOG LISTING
BA-3RX717

FOR FACTORY USE ONLY

CATALOG LISTING
BA-3RX717
PAGE 1 OF 1

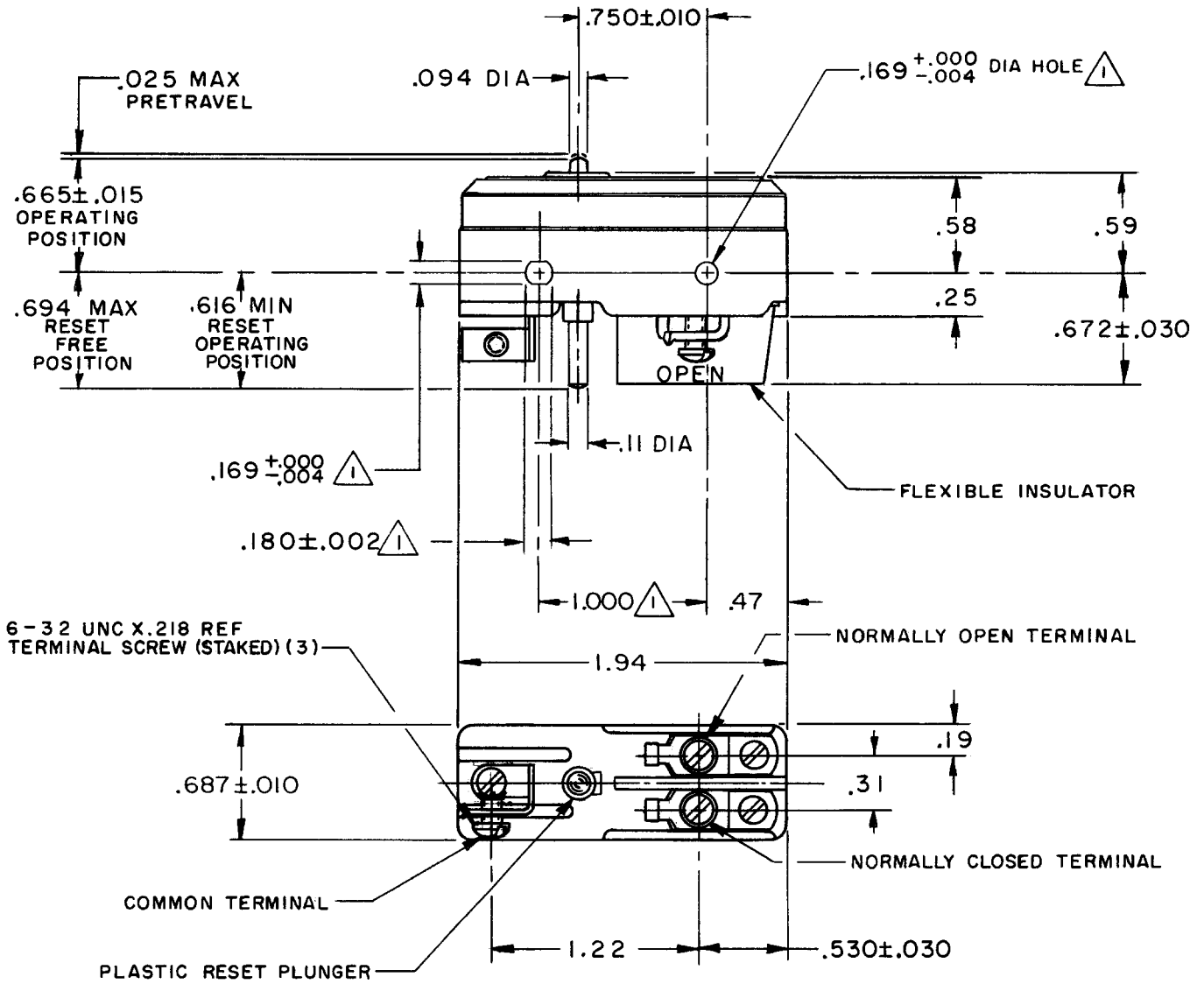
M

ISSUE
6

REVISIONS

A	CO15200	M B F	10 FEB 66
B	CO 52503	R J H	8 DEC 82
C	CO93346	DLT	23 SEP 98
D	202942	CS	23 APR 01

REPLACES
RELEASE NO.
CHECK
14 FEB 66



NOTE
 MOUNTING HOLES WILL ACCEPT PINS OR SCREWS
 OF .165 MAX DIA ON 1.000±.002 CENTERS

THIS DRAWING COVERS A PROPRIETARY ITEM AND IS THE PROPERTY OF MICRO SWITCH, A DIVISION OF HONEYWELL. THIS DRAWING IS NOT TO BE COPIED OR USED WITHOUT THE APPROVAL OF MICRO SWITCH.

CHARACTERISTICS	
OPERATING FORCE	5 - 10 OZ
OVERTRAVEL	.010 MIN
RESET CHARACTERISTICS	
OPERATING FORCE	2 - 8 OZ
OVERTRAVEL	.010 MIN

ELECTRICAL DATA	
CONTACT ARRANGEMENT SINGLE POLE DOUBLE THROW MAINTAINED CONTACT	
-L224-	
20A-125, 250, OR 480 VAC	
1 HP-125 VAC; 2 HP-250 VAC	
1/2A-125 VDC; 1/4A-250 VDC	
-L288-	CE
-L299-	ⓓ
-L308-	Ⓡ Ⓢ
20(3)A 250V ~ T85 5E4	

SCALE FULL	
DO NOT SCALE PRINT	
UNLESS OTHERWISE NOTED	
DIMENSIONS ARE IN INCHES	
TOLERANCES ARE:	
ONE PLACE (.0)	±.030
TWO PLACE (.00)	±.015
THREE PLACE (.000)	±.005
ANGLES	±
WEIGHT	

FO-90378 RASTER DRAWN

CHECK
10 FEB 66
LSD
14 FEB 66