

# MICRO SWITCH

FREEPORT ILLINOIS, U.S.A  
A DIVISION OF HONEYWELL  
FED. MFG. CODE 91929

# SWITCH-BASIC

CATALOG LISTING  
**BA-2RV-A4**

BA-2RV-A4  
PAGE 1 OF 1

**M**

DRAWING  
NUMBER

5

ISSUE

REPLACES

RELEASE NO. PR-6975

CHECK

REVISIONS

A	CO	51554	TSK	19 JULY 82
B	CO	73287-G	JAL	20 OCT 93
C	CO	77588	KDR	29 MAR 94
D	CO	093346	DLT	26 AUG 98

CHECK

78

14 FEB 78

CEB

78

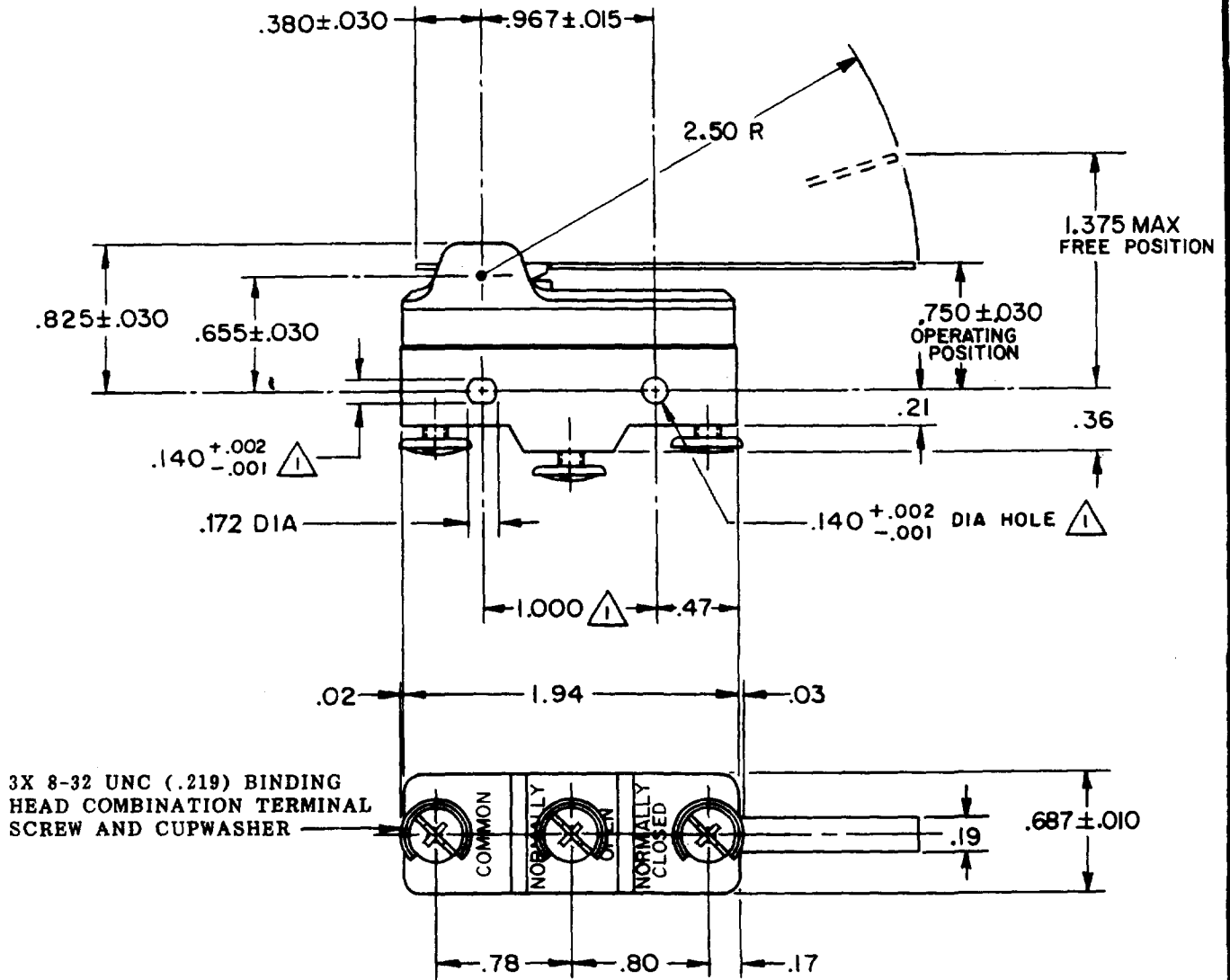
13 FEB 78

FORMTEK

FO-52848-A

DRAWN

78



3X 8-32 UNC (.219) BINDING  
HEAD COMBINATION TERMINAL  
SCREW AND CUPWASHER

**NOTE**  
MOUNTING HOLES WILL ACCEPT PINS OR SCREWS  
OF .139 MAX DIA ON 1.000 CENTERS

THIS DRAWING COVERS A PROPRIETARY ITEM AND IS THE PROPERTY OF MICRO SWITCH, A DIVISION OF HONEYWELL. THIS DRAWING IS NOT TO BE COPIED OR USED WITHOUT THE APPROVAL OF MICRO SWITCH.

THIRD ANGLE PROJECTION

**CHARACTERISTICS**

OPERATING FORCE --- 2 1/2 OZ MAX  
RELEASE FORCE --- 1/2 OZ MIN  
PRETRAVEL --- .625 MAX  
DIFFERENTIAL TRAVEL --- .109 MAX  
OVERTRAVEL --- .078 MIN

**ELECTRICAL DATA**

CONTACT ARRANGEMENT  
S P D T  
CODE L23  
20A-125, 250 OR 480 VAC; 10A-125 VAC "L"  
1HP-125 VAC; 2HP-250 VAC  
1/2A-125 VDC; 1/4A-250 VDC  
L288  
L299  
L308  
**CE D RU SA**  
20(3)A 250V ~ T85 5E4

**SCALE FULL**

DO NOT SCALE PRINT  
**TOLERANCES**  
APPLY TO DESIGN UNITS. CONVERSIONS ARE ONLY FOR REFERENCE. UNLESS NOTED TOLERANCES ARE X  
DIM. TOL. DIM. TOL.  
mm mm/in in mm/in  
NO PLACES X X 1/64 X X 0.07/03  
ONE PLACE X,X 0.4/016 X XX 0.38/015  
TWO PLACES X,XX 0.15/006 X XXX 0.13/005  
THREE PLACES X,XXX  
ANGLES  
SI METRIC  
DESIGN UNITS  US CUSTOMARY   
WEIGHT