

MICRO SWITCH

A DIVISION OF MINNEAPOLIS-HONEYWELL REGULATOR COMPANY

FED. MFR. CODE/91929

SWITCH - BASIC

CATALOG LISTING
BA-2RV-A2

BA-2RV-A2
ISSUE 3

M BA-2RV-A2
PAGE 1 OF 1

DRAWING NUMBER

ISSUE

9

REVISIONS

| | | |
|---|-----|-----------|
| A | CO | 18883 |
| | GCH | 18 DEC 61 |
| B | CO | 34312 |
| | KPK | 21 APR 78 |
| C | CO | 73287-J |
| | JAL | 22 NOV 93 |
| D | CO | 77590 |
| | SAD | 8 JUN 94 |
| E | CO | 93346 |
| | DLT | 26 AUG 98 |
| F | | 204782 |
| | GJW | JAN 02 |

REPLACES

RELEASE NO.

CHECK

CHECK

CHECK

CHECK

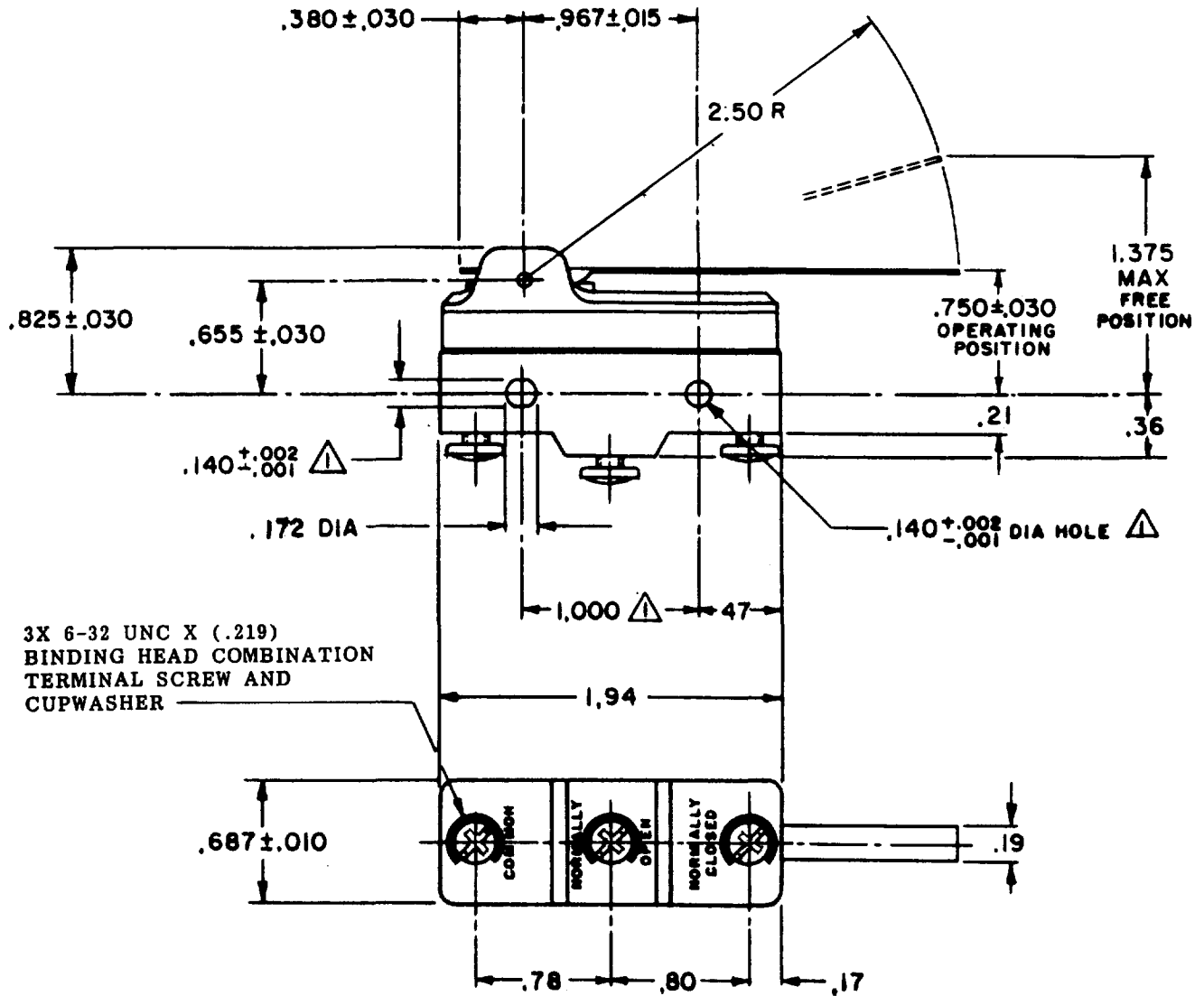
CHECK

CHECK

CHECK

CHECK

CHECK



NOTE
▲ - MOUNTING HOLES WILL ACCEPT PINS OR SCREWS OF .139 MAX DIA ON 1.000 ± .002 CENTERS

THIS DRAWING COVERS A PROPRIETARY ITEM AND IS THE PROPERTY OF MICRO SWITCH, A DIVISION OF MINNEAPOLIS-HONEYWELL REGULATOR CO. THIS DRAWING IS NOT TO BE COPIED OR USED WITHOUT THE APPROVAL OF MICRO SWITCH.

CHARACTERISTICS

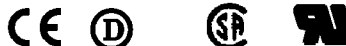
OPERATING FORCE ----- 2 1/2 OZ MAX
RELEASE FORCE ----- 1/2 OZ MIN
PRETRAVEL ----- .625 MAX
DIFFERENTIAL TRAVEL ----- .109 MAX
OVERTRAVEL ----- .078 MIN

ELECTRICAL DATA

CONTACT ARRANGEMENT
S P D T

L23 UNDERWRITERS' LAB. INC. LISTED RATING
20A - 125, 250 OR 480 VAC
10A - 125 VAC "L"
1HP - 125 VAC, 2HP - 250 VAC
1/2A - 125 VDC, 1/4A - 250 VDC

L288
L299
L308



20(3)A 250V ~ T85 5E4

SCALE --- FULL

DO NOT SCALE PRINT

UNLESS OTHERWISE SPECIFIED

DIMENSIONS ARE IN INCHES

TOLERANCES ARE:

ONE PLACE (.0) ±.030
TWO PLACE (.00) ±.015
THREE PLACE (.000) ±.005
ANGLES ±

WEIGHT

RASTER

0-80378

DRAWN

GCH 15 DEC 61

5 JAN 62

DAW

5 JAN 62