

# MICRO SWITCH

FREERPORT ILLINOIS, U.S.A  
A DIVISION OF HONEYWELL

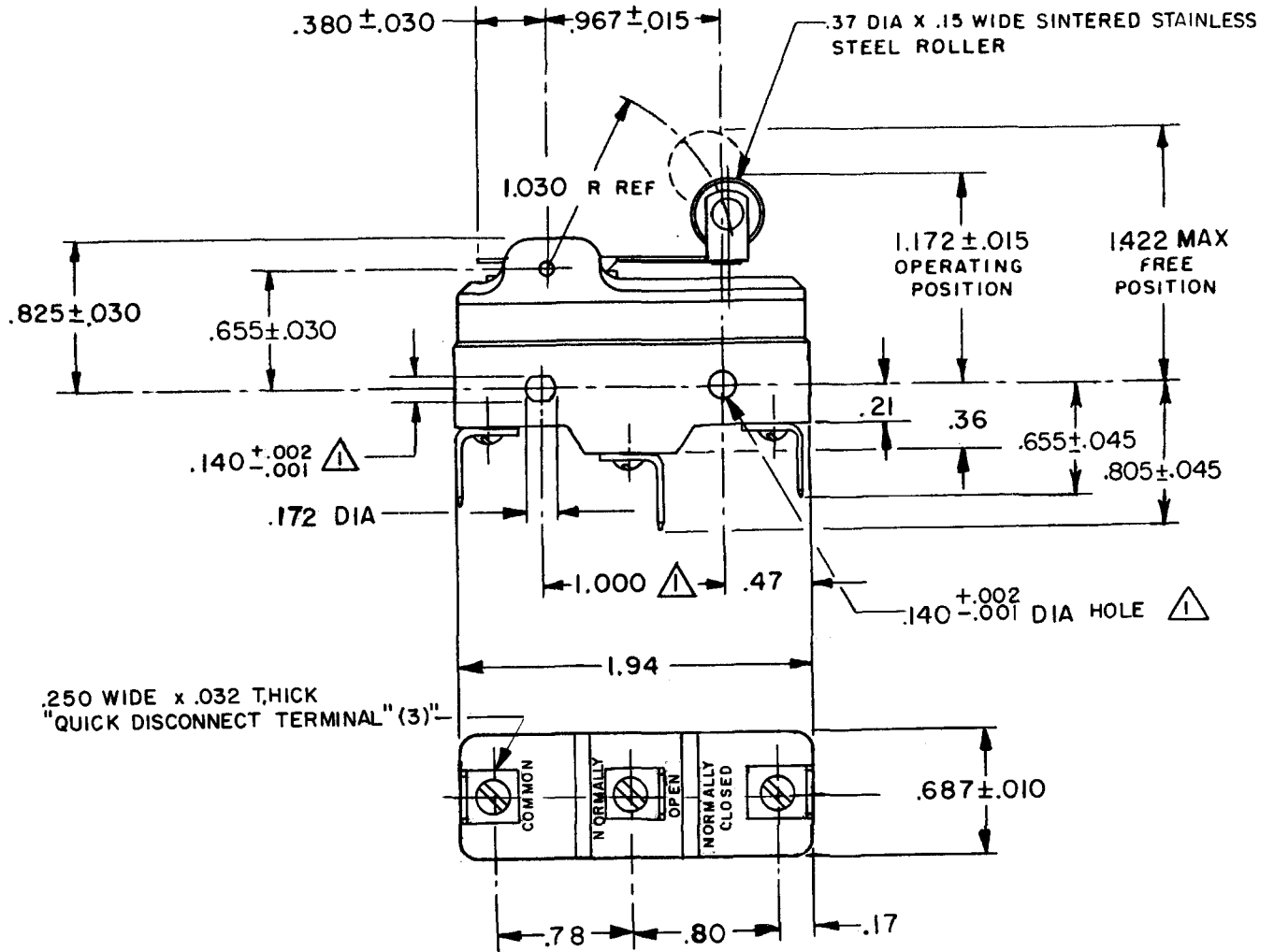
FED. MFG. CODE 91929

# SWITCH-BASIC

CATALOG LISTING

## BA-2RV22-D6

**MI BA-2RV22-D6**  
 PAGE 1 OF 1  
 DRAWING NUMBER  
 ISSUE 8  
 RELEASE NO. PR-3096  
 CHECK  
 REVISIONS  
 A PR-3096 18 SEP 69  
 B CO-70184-G 18 SEP 69  
 C J W 7 MAR 92  
 D CO-75204B 1 FEB 94  
 E CO-77590 8 JUN 94  
 F CO-80938 7 JUN 95  
 G C093346 26 AUG 98  
 D L F 16 SEP 69  
 DRAWN  
 FORMTEK  
 FO-50378-1A



.250 WIDE x .032 THICK  
"QUICK DISCONNECT TERMINAL" (3)"

**NOTE**  
 ▲ - MOUNTING HOLES WILL ACCEPT PINS OR SCREWS  
 OF .139 MAX DIA ON 1.000 ± .002 CENTERS.

THIS DRAWING COVERS A PROPRIETARY ITEM AND IS THE PROPERTY OF MICRO SWITCH, A DIVISION OF HONEYWELL. THIS DRAWING IS NOT TO BE COPIED OR USED WITHOUT THE APPROVAL OF MICRO SWITCH.

CHARACTERISTICS	ELECTRICAL DATA	SCALE FULL
OPERATING FORCE — — — 6 OZ MAX	CONTACT ARRANGEMENT S P D T	DO NOT SCALE PRINT
RELEASE FORCE — — — 1 1/2 OZ MIN	-L23- UNDERWRITERS' LAB. INC. LISTED RATING 20 A-125, 250, OR 480 VAC 10 A-125 VAC "L" 1 HP-125 VAC; 2 HP-250 VAC 1/2 A-125 VDC; 1/4 A-250 VDC CE D SA 20(3)A 250V ~ T85 5E4	UNLESS OTHERWISE NOTED
PRETRAVEL — — — .250 MAX		TOLERANCES ARE:
DIFFERENTIAL TRAVEL — — .045 MAX		ONE PLACE (.0) ± .030
OVERTRAVEL — — — .030 MIN		TWO PLACE (.00) ± .015
		THREE PLACE (.000) ± .005
		ANGLES ±
		WEIGHT