

# MICRO SWITCH

A DIVISION OF MINNEAPOLIS-HONEYWELL REGULATOR COMPANY  
 FREEPORT, MICHIGAN

FED. MFR. CODE 91929

## SWITCH - BASIC

CATALOG LISTING

BA-2RQ1

ABM0500

(M) BA-2RQ1  
 ISSUE 4

BA-2RQ1  
 PAGE 1 OF 1

M  
 DRAWING NUMBER

18 JAN 06  
 RELEASE NO.

14  
 ISSUE

REPLACES

18 JAN 06

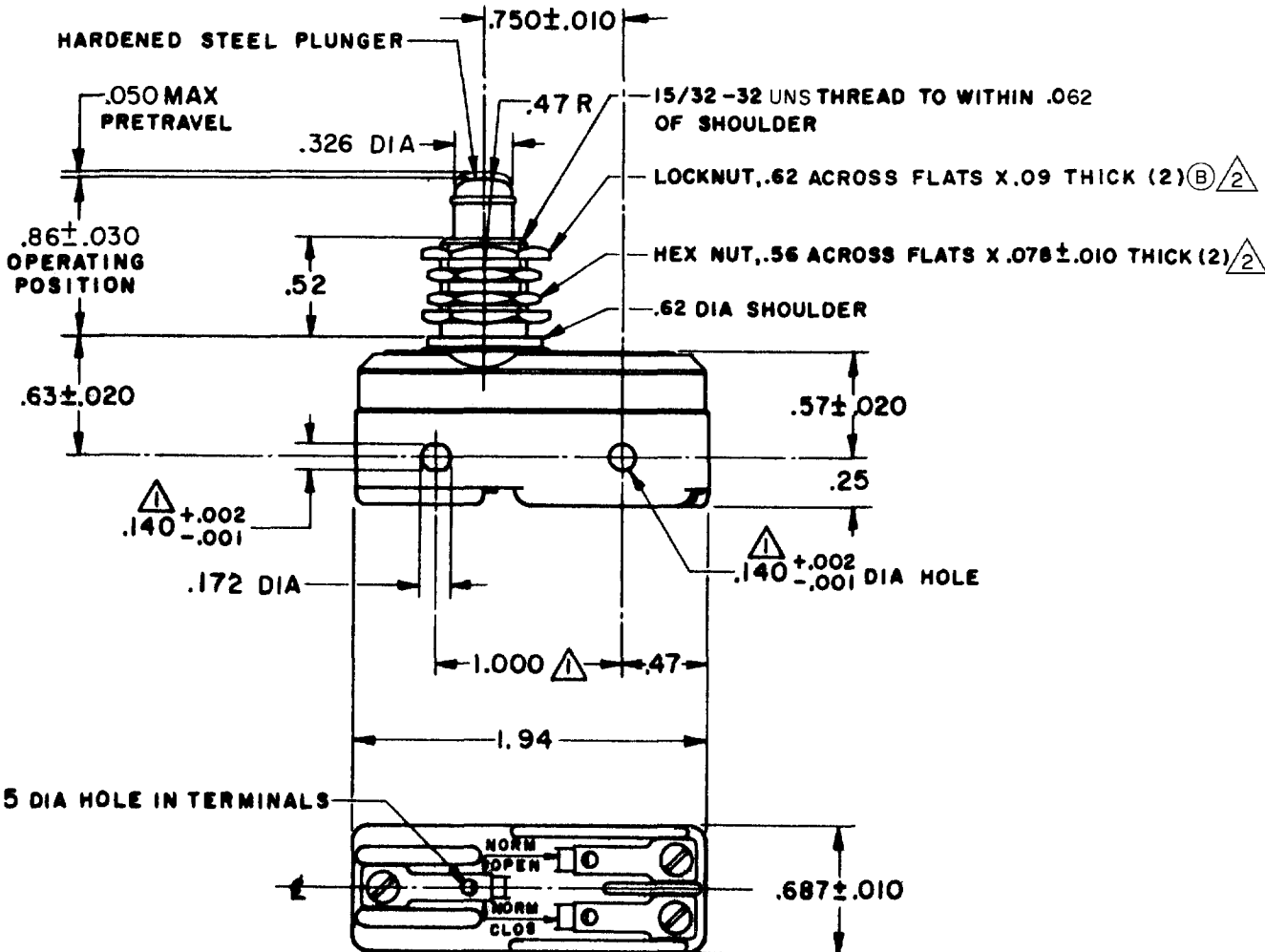
CHECK

REVISIONS

A	CO 9600	
2	R.E.R.	MAR 59
B	CO14866	
	J I D	AUG 60
C	CO-34311	
	J A L	JAN 75
D	CO45448	
	D J W	FEB 79
E	CO 77580	
	S A D	JUN 94
F	CO-82133	
	CSL	JUL 96
G	CO-92159	
	C S T	JAN 98
H	CO93346	
	D L T	AUG 98
J	CO-94212-C	
	D L T	SEP 99
K	CO018387	
	T S G	JAN 06

FORMTEK  
 DRAWN

R. E. R. 2 FEB 59  
 CHECK



- NOTES
- ① MOUNTING HOLES WILL ACCEPT PINS OR SCREWS OF .139 MAX DIA ON 1.000±.002 CENTERS
  - ② HARDWARE FURNISHED UNASSEMBLED

THIS DRAWING COVERS A PROPRIETARY ITEM AND IS THE PROPERTY OF MICRO SWITCH, A DIVISION OF MINNEAPOLIS-HONEYWELL REGULATOR CO. THIS DRAWING IS NOT TO BE COPIED OR USED WITHOUT THE APPROVAL OF MICRO SWITCH.

CHARACTERISTICS	ELECTRICAL DATA	SCALE FULL
OPERATING FORCE ----- 14-22 OZ	CONTACT ARRANGEMENT S P D T	DO NOT SCALE PRINT
RELEASE FORCE ----- 10 OZ MIN	L23 20A 125, 250 OR 480 VAC 10A 125 VAC "L" 1HP 125 VAC, 2HP 250 VAC 1/2A 125 VDC, 1/4A 250 VDC	UNLESS OTHERWISE SPECIFIED DIMENSIONS ARE IN INCHES <b>TOLERANCES ARE:</b>
DIFFERENTIAL TRAVEL ----- .002-.0075	L288 L308 L315	ONE PLACE (.0) ±.030 TWO PLACE (.00) ±.015 THREE PLACE (.000) ±.008 ANGLES ±
OVERTRAVEL ----- .219 MIN	CE 20(3)A 250V ~ T85 5E4	WEIGHT .080 LB