

MICRO SWITCH

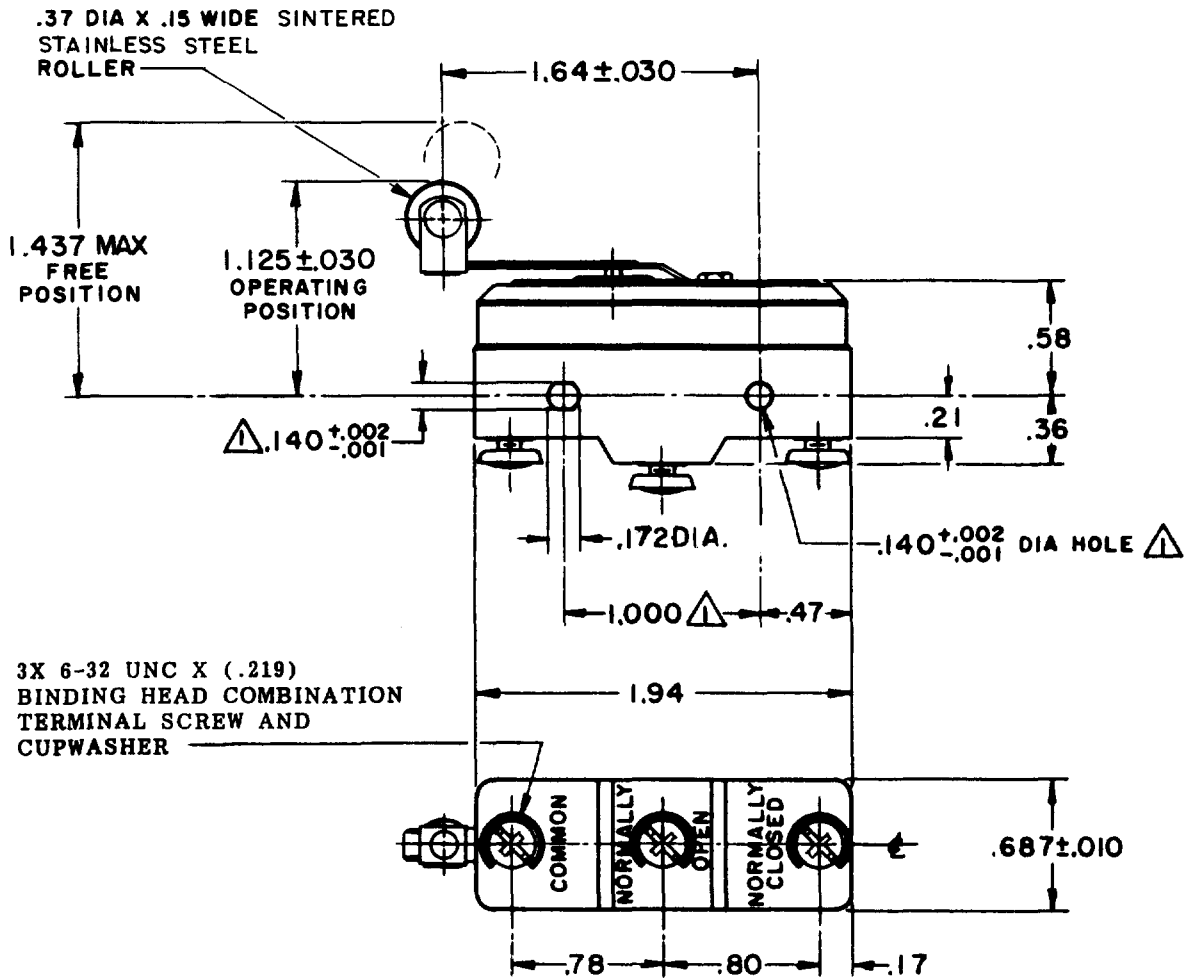
A DIVISION OF MINNEAPOLIS-HONEYWELL REGULATOR COMPANY



SWITCH - BASIC

FED. MFR. CODE 91929

M BA-2RL2-A2
 PAGE 1 OF 1
 DRAWING NUMBER
 ISSUE 8
 RELEASE NO.
 CHECK
 REVISIONS
 A CO 9600
 L M H
 25 MAR 59
 B CO27518
 L S D
 28 JUN 70
 C CO-73287-J
 J A L
 22 NOV 93
 D CO-75204-B
 W J C
 FEB 94
 E CO-77590
 S A D
 8 JUN 94
 F CO-92159
 C S L
 21 JAN 98
 G CO93346
 D L T
 25 AUG 98
 CHECK
 GCH 26 MAR 59
 CHECK
 L M H 25 MAR 59
 DRAWN
 FORMTEK



3X 6-32 UNC X (.219)
 BINDING HEAD COMBINATION
 TERMINAL SCREW AND
 CUPWASHER

NOTE
 ▲ MOUNTING HOLES WILL ACCEPT PINS OR SCREWS
 OF .139 MAX DIA ON 1.000 ± .002 CENTERS

THIS DRAWING COVERS A PROPRIETARY ITEM AND IS THE PROPERTY OF MICRO SWITCH, A DIVISION OF MINNEAPOLIS-HONEYWELL REGULATOR CO. THIS DRAWING IS NOT TO BE COPIED OR USED WITHOUT THE APPROVAL OF MICRO SWITCH.

CHARACTERISTICS	ELECTRICAL DATA	SCALE FULL
OPERATING FORCE-----9 OZ MAX	CONTACT ARRANGEMENT S P D T	DO NOT SCALE PRINT
RELEASE FORCE-----1 OZ MIN	L23 20A 125, 250 OR 480 VAC 10A 125 VAC "L"	UNLESS OTHERWISE SPECIFIED DIMENSIONS ARE IN INCHES
DIFFERENTIAL TRAVEL-----.065 MAX	1HP 125 VAC, 2HP 250 VAC 1/2A 125 VDC, 1/4A 250 VDC	TOLERANCES ARE:
DO NOT OVERTRAVEL MORE THAN-----.060	L288 L299 L308 20(3)A 250V ~ T85 5E4	ONE PLACE (.0) ±.030 TWO PLACE (.00) ±.015 THREE PLACE (.000) ±.005 ANGLES ±
		WEIGHT