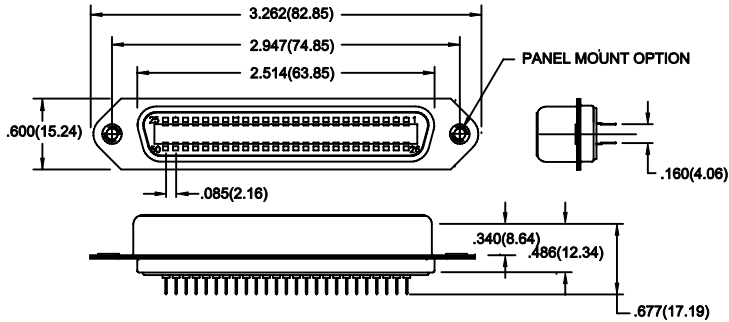


THIS IS A C.A.D. GENERATED DRAWING
DO NOT MAKE MANUAL REVISIONS TO MASTER.

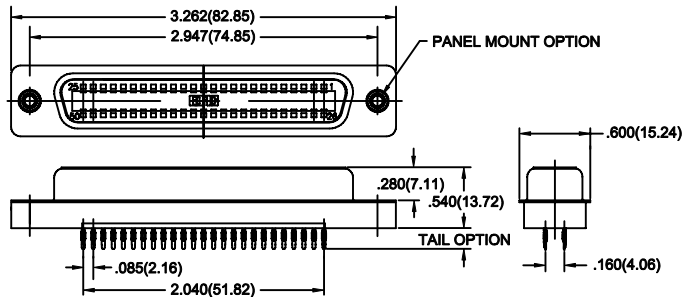


ISSUE NUMBER
ORIGINAL ①

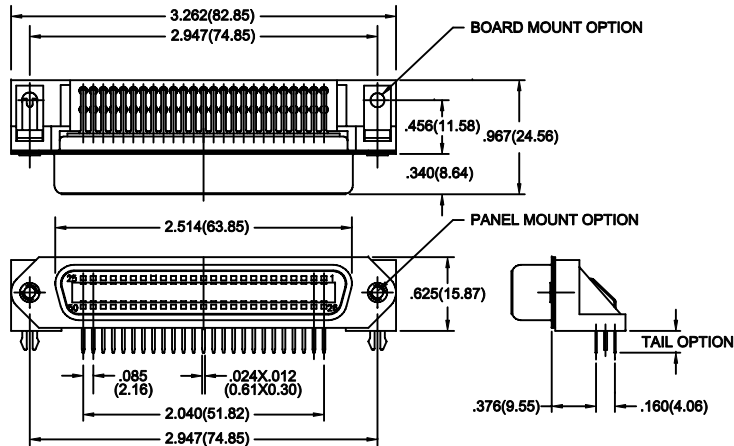
VERTICAL P.C.B.



VERTICAL PRESS FIT



RIGHT ANGLE P.C.B.



B57-150-260-202

- SERIES**
- 0-RECEPTACLE
 - 1-PLUG
- NO. OF CONTACTS**
- 50 OR 64
- CONTACT FINISH**
- 2-GOLD FLASH, GOLD PLATED (2 MICROINCHES MIN. THICKNESS)
 - 5-15u" GOLD
 - 6-30u" GOLD
- 20- VERTICAL PRESS FIT**
- 21- VERTICAL PCB
 - 29- FLAT CABLE TERMINATION
 - 60- RIGHT ANGLE PCB(.187 TAIL LG.)
 - 61- RIGHT ANGLE PCB(.100 TAIL LG.)
 - 62- RIGHT ANGLE PCB(.125 TAIL LG.)
- A- 4-40 STANDOFF ON POS.1 AND J-HOOK ON POSITION 25**
- 2- 4-40 THREADED INSERT/.120 DIA .HOLE
 - 3- 4-40 THREADED INSERT/4-40 THREADED HOLE
 - 4- .120 DIA HOLE/.120 DIA HOLE
 - 5- 4-40 THREADED INSERT/BOARDLOCKS
 - 6- 4-40 THREADED INSERT/BOARDLOCKS/LATCH
 - 7- .120 DIA. INSERT/4-40 THREADED HOLE
 - 8- 4-40 HEX STANDOFF/BOARDLOCKS (THE ABOVE HOLES PANEL MOUNT FIRST)
- 0- METAL SHELL**
- 1- ALL PLASTIC
- 1- LATCH**
- 2- TWO ROWS OF CONTACTS

MATERIALS:

INSULATOR: GLASS-FILLED THERMOPLASTIC
UL RATED 94V-0, COLOR BLUE

CONTACT: COPPER ALLOY
PHOSPHOR BRONZE (PRESS FIT)
GOLD PLATED ON CONTACT AREA, TIN ON TAIL
OVER NICKEL

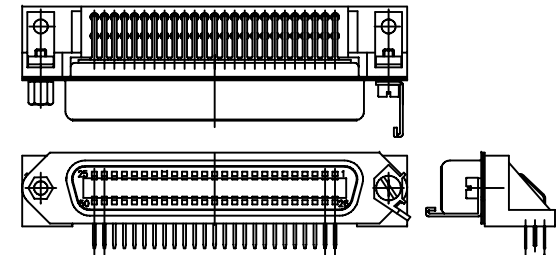
260- GOLD FLASH(2 MICROINCHES MIN. THICKNESS)
560- 15 MICROINCHES OF GOLD
660- 30 MICROINCHES OF GOLD

SHELL : STEEL NICKEL PLATED

ELECTRICALS:

CONTACT CURRENT RATING: 5 AC/DC AMPS CONTINUOUS
CONNECTOR IS NOT 'HOT SWAPPABLE'
DIELECTRIC WITHSTANDING VOLTAGE: 1200 VAC RMS
INSULATION RESISTANCE: 1000 mohms MIN. AT 500V DC
OPERATING VOLTAGE 250 VAC
CONTACT RESISTANCE: 30 mOHMS MAXIMUM
OPERATING TEMPERATURE: -55°C TO +105°C

RIGHT ANGLE CONNECTOR WITH J-HOOK DEVICE



THIS SERIES FULLY CONFORMS TO THE
EUROPEAN UNION DIRECTIVES 2002/95/EC
AND 2002/96/EC FOR RoHS COMPLIANCY.

**50 POSITIONS MINIATURE RIBBON CONNECTOR
GENERIC DWG.**



YOUR CONNECTION TO QUALITY & SERVICE

EDAC INC
TORONTO, ONTARIO
CANADA

THESE DRAWINGS AND SPECIFICATIONS
ARE THE PROPERTY OF EDAC INC., AND
SHALL NOT BE REPRODUCED, OR COPIED
OR USED AS THE BASIS FOR THE
MANUFACTURE OR SALE OF APPARATUS
WITHOUT WRITTEN PERMISSION.

ACAD REFERENCE NO. B57 GENERIC DWG.

DRAWN: F.BRIONES DATE: JUN.28/05

PART NUMBER

SEE ABOVE

DRAWING NUMBER
B57 GENERIC DWG.

ISSUE
1