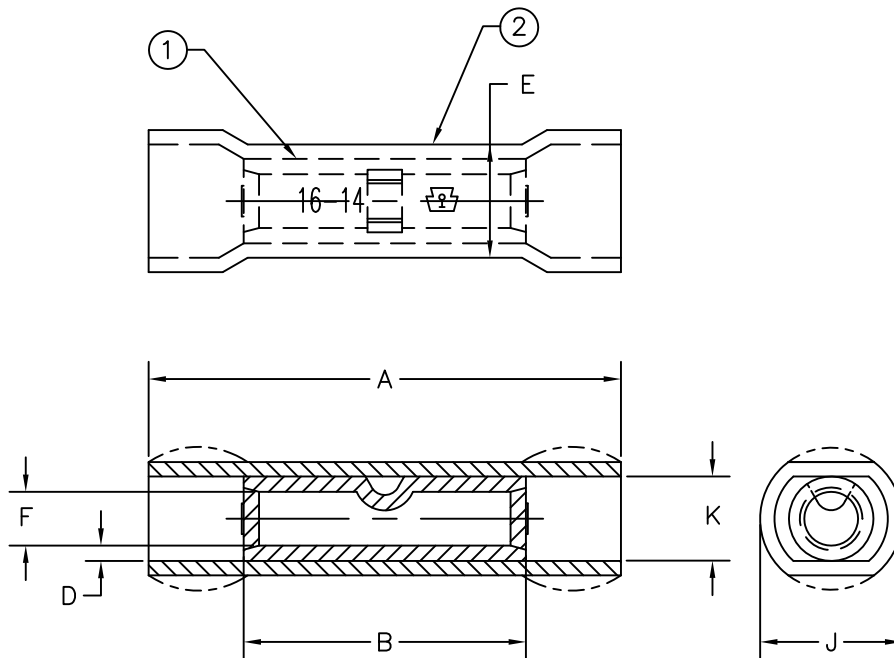


REV.	WAS	REVISION	ECO	BY	APPRV'D	DATE



- NOTES:
1. MATERIAL: COPPER
 2. FINISH: ELECTRO-TIN PLATE
 3. TRADEMARK AND WIRE SIZE STAMPED ON PART.
 4. SERRATED BARREL
 5. THIS PART IS DESIGNED TO MEET U.L. AND C.S.A. TEST CRITERIA.

CATALOG PART NO.	A	B	D	E	F	J	K	①	②
	MAX	NOM	NOM	REF	MIN	MIN	MIN	SEE NOTES 1 & 2	BLUE VINYL
B4051	1.035	.570	.032	.216	.082	.250	.140		

CRIMPING TOOL				
LOOSE PIECE	STRIP LENGTH	TAPE MOUNTED	STRIP LENGTH	
H7B	5/16	27180	5/16	

UNLESS OTHERWISE SPECIFIED ALL DIMENSIONS IN INCHES COMMERCIAL TOLERANCES APPLY TO ALL STOCK SIZES	DATE	4-20-98	 HOLLINGSWORTH AN ELECTRO-TERM COMPANY		
	DRAWN	PJL			
	CHK'D		TITLE BUTT FIT INSULATED CONNECTOR BUTT - FIT OVAL CONNECTOR		
	APPV'D				
	RELEASE DATE				
	FINISH	NIT - TIN PLATE	WIRE SIZE RANGE:	16-14	PART NO. B4051
	SCALE	2X	COLOR CODE:	BLUE	
DO NOT SCALE				CD	