



ENCLOSING ELECTRONICS ONE BOX AT A TIME

ENCLOSURES & ASSEMBLY SERVICES
ENCLOSURES & ASSEMBLY SERVICES

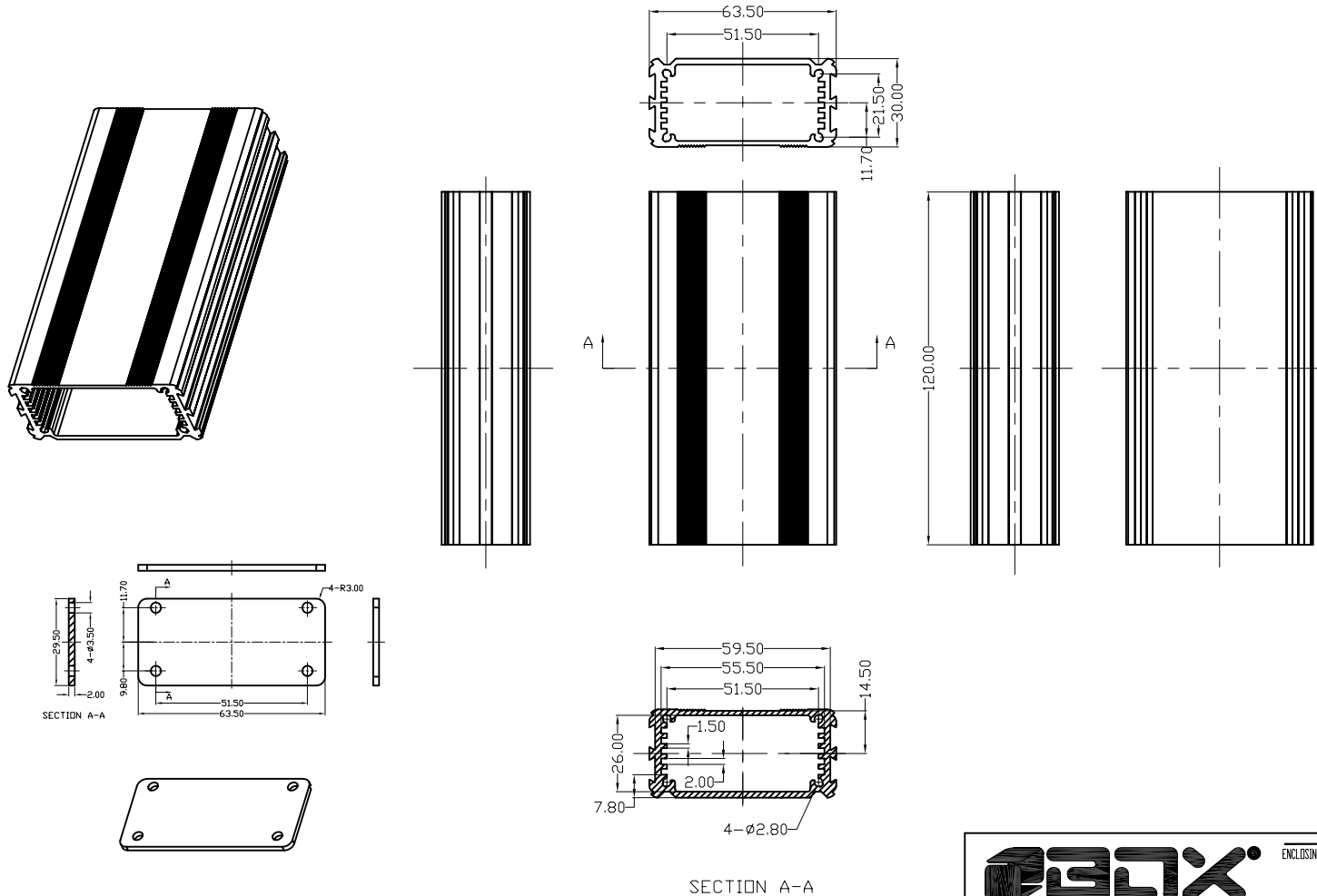
BOX ENCLOSURES, INC

28835 N. HERKY DRIVE, #114,
LAKE BLUFF, IL 60044

TEL: 847-932-4700

WWW.BOXENCLOSURES.COM

FAX: 847-932-4701



		ENCLOSING ELECTRONICS ONE BOX AT A TIME		Revision:	
		ENCLOSURES & ASSEMBLY SERVICES		Model:	
Title		BEX1201		Dwg. No.:	Part No.:
Material:	TOLERANCE		Color:	Drn.	Date
Finish:	all dimension in mm		Qty.:	Chk.	Date
ONLY FOR	.x ±0.20		A4	Sheet	App.
Proj.	.xx ±0.05				
		ANGLE ±0.5°			

THIS DRAWING IS THE PROPERTY OF AND MAY EMBODY PROPRIETARY INFORMATION OWNED BY X-Box Enclosures. IT IS PROVIDED UNDER A CONFIDENTIAL RELATIONSHIP FOR A SPECIFIC PURPOSE. THE RECIPIENT AGREES TO USE IT FOR SUCH PURPOSE AND RETURN IT TO X-Box Enclosure UPON REQUEST.