



**Description**

A 5 figure, rugged stroke counter, with right-hand shaft extension, operating lever and attached spring. Rated at 600 counts per minute, this heavy-duty model is well suited for most industrial applications.

**Features**

- Heavy-duty
- 600 CPM
- 5 Figures

**Options**

- Lever modifications
- 1022-006S - additional spring

**Specifications**

**Figures:** 5 figures, white on black, 0.27" [7mm] high  
**Reset:** Knob, internal, or lock and key  
**Speed:** 600 counts/minute  
**Rotation:** Top-coming  
**Count Stroke:** 36° Min. - 45° Max.

**Shaft Extension:** Right-hand  
**Operating Life:** Beyond 200 million counts  
**Temp. Range:** -15°F to +140°F [-26°C to +60°C]  
**Weight:** 20 oz. [567g]

**Models Description**

3-2835 Right-hand, top-coming, internal reset  
**4-2835** Right-hand, top-coming, knob reset

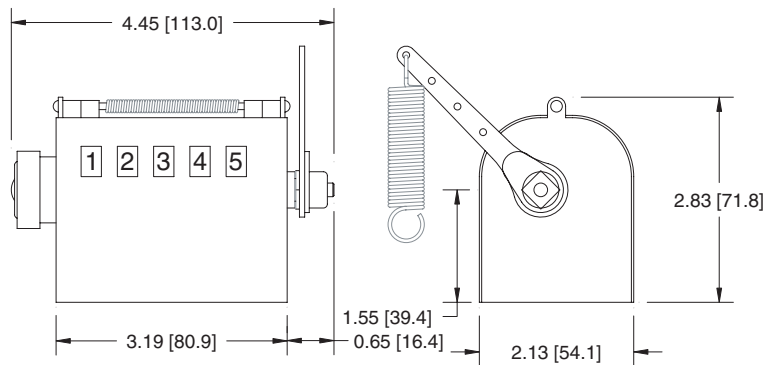
**Models Description**

5-2835 Right-hand, top-coming, lock and key reset

\* Items in bold are normally in factory stock.

**Dimensions**

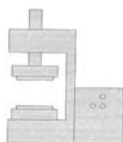
**Right - Hand Shaft**



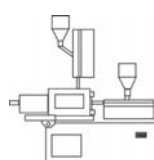
Mounting holes: 0.18" [4.6mm] Dia.

**Applications**

Punch press



Machine cycles



Shears

