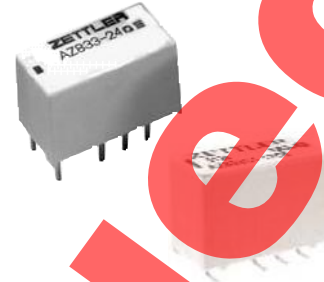


MICROMINIATURE POLARIZED RELAY

FEATURES

- Microminiature size: up to 50% less board area than previous generation telecom relays
- High dielectric and surge voltage:
2.5 KV surge (per Bellcore TA-NWT-001089)
1.5 KV surge (per FCC Part 68)
1,000 Vrms, open contacts
- Low power consumption: 79 mW pickup
- Stable contact resistance for low level signal switching
- Epoxy sealed
- UL, CUR file E43203
- All plastics meet UL94 V-O, 30 min. oxygen index



CONTACTS

Arrangement	DPDT (2 Form C) Bifurcated crossbar contacts
Ratings	Resistive load: Max. switched power: 60 W or 62.5 VA Max. switched current: 2.0 A Max. switched voltage: 220 VDC or 250 VAC
Rated Load UL/CSA	0.25 A at 240 VAC 0.5 A at 125 VAC 2.0 A at 30 VDC 0.3 A at 110 VDC
Material	Silver nickel gold plated Silver palladium available upon request

GENERAL DATA

Life Expectancy Mechanical Electrical	Minimum operations 1 x 10 ⁸ 1 x 10 ⁵ at 0.5 A, 125 VAC, resistive 2 x 10 ⁵ at 1.0 A, 30 VDC, resistive
Operate Time (typical)	3 ms at nominal coil voltage
Release Time (typical)	2 ms at nominal coil voltage (with no coil suppression)
Bounce (typical)	At 10 mA contact current 1 ms at operate or release
Dielectric Strength (at sea level)	See table
Dropout	Greater than 10% of nominal coil voltage
Insulation Resistance	10 ⁹ ohms min. at 25°C, 500 VDC, 50% RH
Ambient Temperature Operating Storage	At nominal coil voltage -40°C (-40°F) to 85°C (185°F) -40°C (-40°F) to 105°C (221°F)
Vibration	Operational, 35 g, 10–1000 Hz
Shock	Operational, 50 g min., 11 ms Non-destructive, 150 g min., 11 ms
Max. Solder Temp.	See soldering profile
Max. Solder Time	See soldering profile
Max. Solvent Temp.	80°C (176°F)
Max. Immersion Time	30 seconds
Weight	2.3 grams
Enclosure	P.B.T. polyester
Terminals	Tinned copper alloy, P.C.
Packing unit in pcs THT SMT	50 per plastic tube / 1000 per carton box 400 per reel / 2000 per carton box

COIL (Polarized)

Power At Pickup Voltage (typical)	79 mW
Max. Continuous Dissipation	1.0 W at 20°C (68°F)
Temperature Rise	At nominal coil voltage 18°C (32°F)
Temperature	Max. 110°C (230°F)

NOTES

1. All values at 20°C (68°F).
2. Relay may pull in with less than "Must Operate" value.
3. Relay has fixed coil polarity.
4. Specifications subject to change without notice.

Discontinuation Notice

Discontinuation date:

31.12.2012

Date of last order:

30.06.2012

Recommended replacement:

AZ8462

AZ833

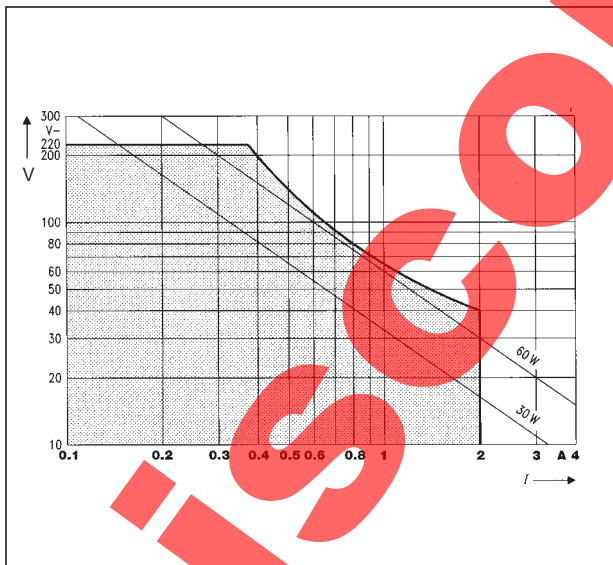
RELAY ORDERING DATA

STANDARD RELAYS				Order Number		
Nominal Coil VDC	Must Operate VDC	Max. Continuous VDC	Coil Resistance Ohm $\pm 10\%$	THT Through Hole	SMT Long	SMT Short
3	2.25	6.5	64.3	AZ833-3DE	AZ833S1-3DE	AZ833S2-3DE
4.5	3.38	9.8	145	AZ833-4.5DE	AZ833S1-4.5DE	AZ833S2-4.5DE
5	3.75	10.9	178	AZ833-5DE	AZ833S1-5DE	AZ833S2-5DE
6	4.50	13.0	257	AZ833-6DE	AZ833S1-6DE	AZ833S2-6DE
9	6.75	19.6	578	AZ833-9DE	AZ833S1-9DE	AZ833S2-9DE
12	9.00	26.2	1,029	AZ833-12DE	AZ833S1-12DE	AZ833S2-12DE
24	18.00	52.3	4,114	AZ833-24DE	AZ833S1-24DE	AZ833S2-24DE

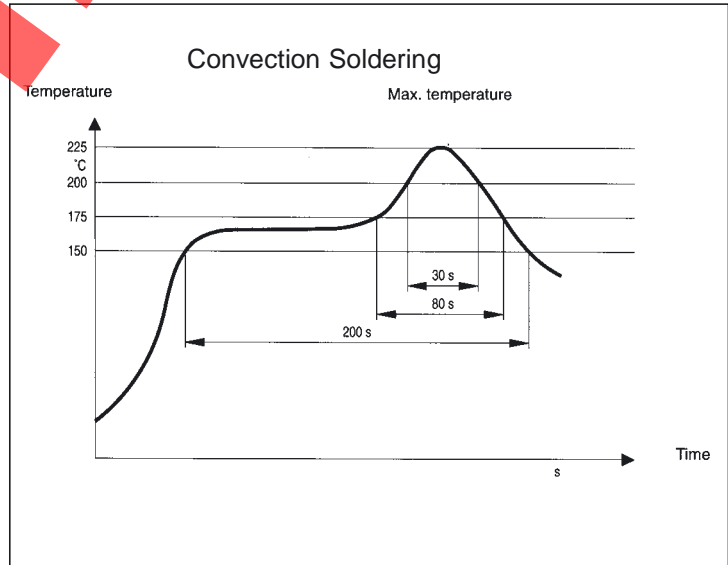
	INITIAL DIELECTRIC STRENGTH (minimum)		SURGE	
	VRMS, 1 min.	Peak (V)	Rise Time (μs)	Decay Time* ($9\mu\text{s}$) (1/2 peak)
Between open contacts	1,000	1,500	10	160
Between contact sets	1,000	1,500	2	160
Between coil and contacts	1,800	2,500	2	10

* Decay time measured from beginning of surge.

LOAD LIMIT CURVE



RECOMMENDED SOLDERING PROFILE



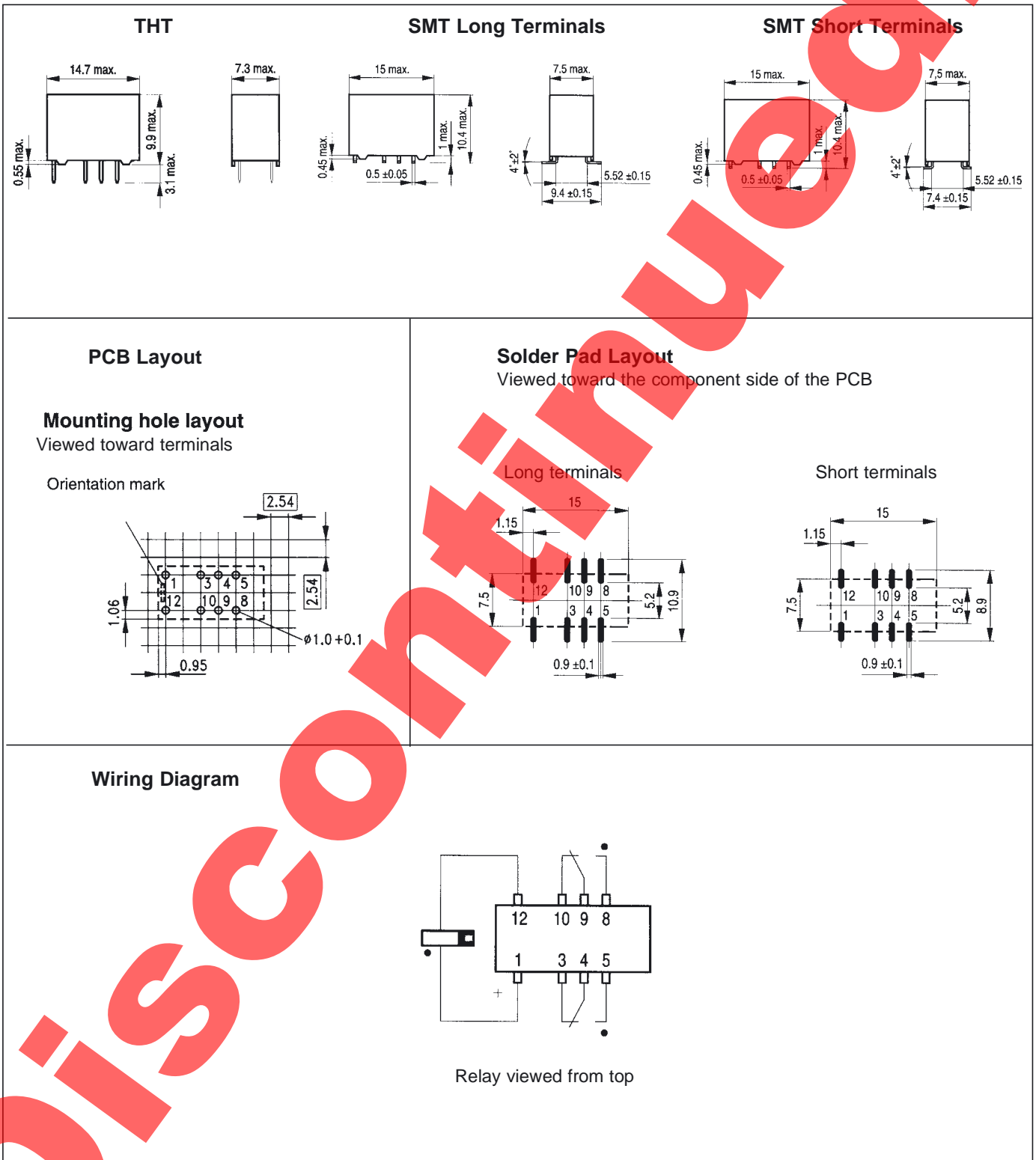
ZETTLER electronics GmbH

Junkersstrasse 3, D-82178 Puchheim, Germany

Tel. +49 89 800 97 0
Fax +49 89 800 97 200

office@ZETTLERelectronics.com
www.ZETTLERelectronics.com

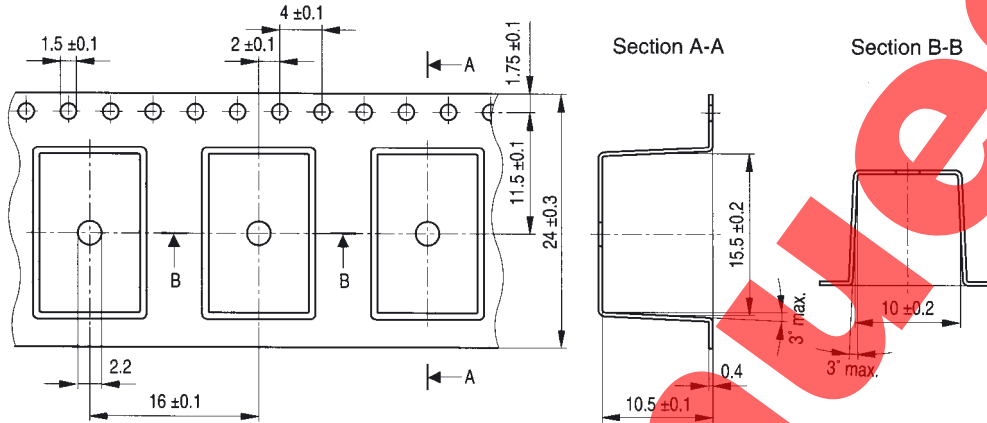
MECHANICAL DATA



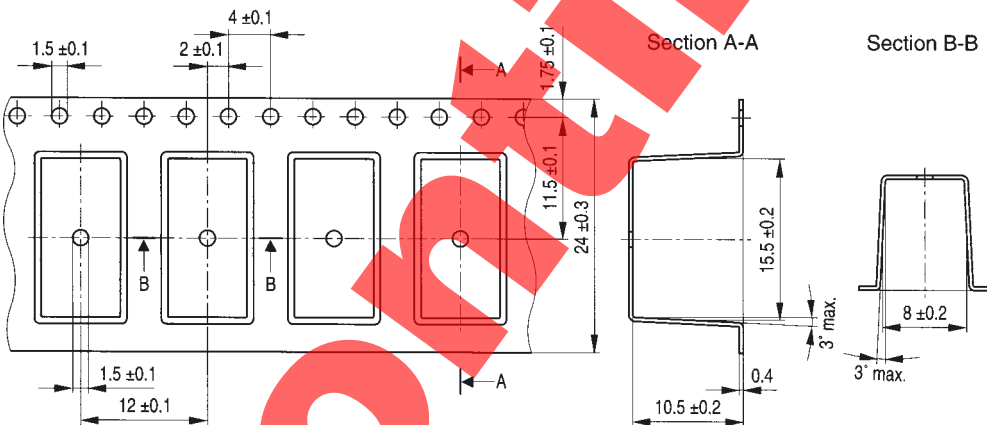
All dimensions in mm

PACKAGING

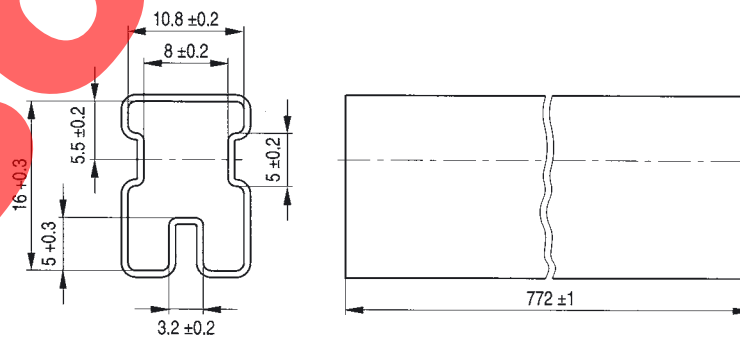
Tape and reel for SMT version with long terminals – AZ833S1



Tape and reel for SMT version with short terminals – AZ833S2



Tube for THT version – AZ833



All dimensions in mm

ZETTLER electronics GmbH

Junkersstrasse 3, D-82178 Puchheim, Germany

Tel. +49 89 800 97 0

Fax +49 89 800 97 200

office@ZETTLERelectronics.com

www.ZETTLERelectronics.com