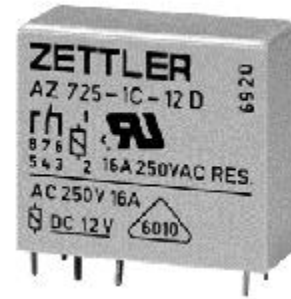


# AZ725

## 20A MINIATURE POWER RELAY

### FEATURES

- Dielectric strength 5000 Vrms
- 20 Amp switching — single pole contacts
- Isolation spacing greater than 8mm
- Molded materials: all 94 V-0
- VDE 6010 - unsealed version only
- Sealed version available
- UL, CUR file E43203



### CONTACTS

<b>Arrangement</b>	SPST (1 Form C) SPST (1 Form A and 1 Form B)
<b>Ratings</b>	Resistive load: Max. switched power: 480 W or 5000 VA Max. switched current: 20 A Max. switched voltage: 150* VDC or 400 VAC  *Note: If switching voltage is greater than 30 VDC, special precautions must be taken. Please contact the factory.
<b>Rated Load UL</b>	20 A at 250 VAC, resistive 70°C
<b>Material</b>	Silver Tin oxide
<b>Resistance</b>	< 30 milliohms initially

### COIL

<b>Power At Pickup Voltage (typical)</b>	270 mW
<b>Max. Continuous Dissipation</b>	2.6 W at 20°C (68°F) ambient 2.0 W at 40°C (104°F) ambient
<b>Temperature Rise</b>	32°C (58°F) nominal coil voltage
<b>Temperature</b>	Max. 130°C (266°F)

### NOTES

1. All values at 20°C (68°F).
2. Relay may pull in with less than "Must Operate" value.
3. Specifications subject to change without notice.

### GENERAL DATA

<b>Life Expectancy Mechanical Electrical</b>	Minimum operations 2 x 10 <sup>7</sup> 1 x 10 <sup>5</sup> at 16 A 250 VAC Res.
<b>Operate Time (typical)</b>	7 ms at nominal coil voltage
<b>Release Time (typical)</b>	3 ms at nominal coil voltage (with no coil suppression)
<b>Dielectric Strength (at sea level for 1 min.)</b>	5000 Vrms coil to contact 1000 Vrms between open contacts
<b>Insulation Resistance</b>	1000 megohms min. at 20°C, 500 VDC, 50% RH
<b>Dropout</b>	Greater than 10% of nominal coil voltage
<b>Ambient Temperature Operating Storage</b>	At nominal coil voltage -40°C (-40°F) to 85°C (185°F) -40°C (-40°F) to 130°C (266°F)
<b>Vibration</b>	0.062" DA at 10–55 Hz
<b>Shock</b>	10 g
<b>Enclosure</b>	P.B.T. polyester
<b>Terminals</b>	Tinned copper alloy
<b>Max. Solder Temp.</b>	270°C (518°F)
<b>Max. Solder Time</b>	5 seconds
<b>Max. Immersion Time</b>	30 seconds
<b>Max. Solvent Temp</b>	80°C (176°F)
<b>Weight</b>	19 grams

# AZ725

## RELAY ORDERING DATA

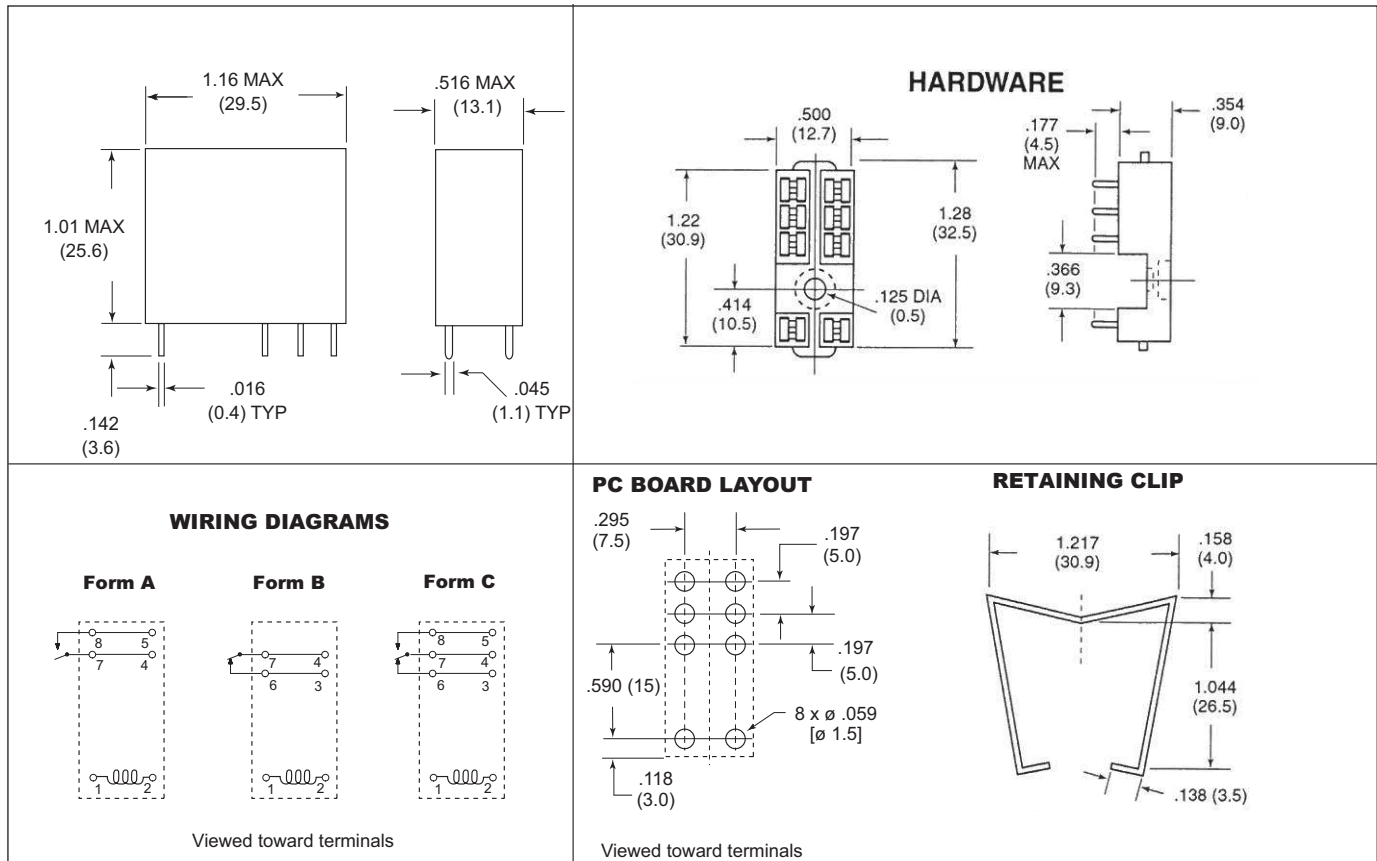
COIL SPECIFICATIONS — DC Coil				ORDER NUMBER*		
Nominal Coil VDC	Must Operate VDC	Max. Continuous VDC	Nominal mA $\pm 10\%$	Coil Resistance $\pm 10\%$	Form A (SPST)	Form C (SPDT)
5	3.5	11.3	102.0	49	AZ725-1AE-5D	AZ725-1CE-5D
6	4.2	13.3	88.21	68	AZ725-1AE-6D	AZ725-1CE-6D
12	8.4	26.0	46.2	260	AZ725-1AE-12D	AZ725-1CE-12D
24	16.8	53.5	21.8	1,100	AZ725-1AE-24D	AZ725-1CE-24D
48	33.6	107.0	10.9	4,400	AZ725-1AE-48D	AZ725-1CE-48D
60	42.0	135.0	8.6	7,000	AZ725-1AE-60D	AZ725-1CE-60D

\* Substitute "1BE" in place of "1AE" for Form B contacts. Add suffix "E" for epoxy sealed version. When suffix "E" is specified for Epoxy Seal, refer to AZ "Relay Technical Notes" on AZ website - Product Resources. Consult factory for other PCB process conditions that may apply.

## HARDWARE ORDERING DATA

DESCRIPTION	ORDER NUMBER
Socket	ST484-U1
Retaining Clip	ST482-2

## MECHANICAL DATA



Dimensions in inches with metric equivalents in parentheses. Tolerance:  $\pm .010$ "

**AMERICAN ZETTLER, INC.**

[www.azettler.com](http://www.azettler.com)

75 COLUMBIA • ALISO VIEJO, CA 92656 • PHONE: (949) 831-5000 • FAX: (949) 831-8642 • E-MAIL: SALES@AZETTLER.COM