

# AZ2500

## 60 AMP LATCHING POWER RELAY

### FEATURES

- Low cost
- 60 Amp switching
- Heavy loads to 15,000VA
- 4kV dielectric
- Epoxy sealed construction available
- UL, CUR file E43203



### CONTACTS

<b>Arrangement</b>	SPST (1 Form A), SPST (1 Form B) Not UL
<b>Ratings</b>	Resistive load: Max. switched power: 15,000VA Max. switched current: 60A Max. switched voltage: 250VAC
<b>Rated Load UL, CUR</b>	60A at 250VAC, 6k cycles, General Use 70°C 50A at 250VAC, 10k cycles, General Use 70°C 40A at 250VAC, 100k cycles, General Use 70°C
<b>Material</b>	Silver tin oxide
<b>Resistance</b>	< 50 milliohms initially (24V, 1A voltage drop method)

### COIL

<b>Power At Pickup Voltage (typical)</b>	666mW single coil 1.3W dual coil
<b>Temperature</b>	Max. 105°C (221°F)

### NOTES

1. All values at 20°C (68°F).
2. Relay may pull in with less than "Must Operate" value.
3. Specifications subject to change without notice.
4. Allow suitable slack on leads when wiring, and do not subject the terminals to excessive force.

### GENERAL DATA

<b>Life Expectancy Mechanical Electrical</b>	Minimum operations 1 x 10 <sup>6</sup> 1 x 10 <sup>5</sup> at 40A 250VAC Res.
<b>Set and Reset Pulse Duration</b>	50ms minimum
<b>Set Time (typical)</b>	20ms at nominal coil voltage
<b>Reset Time (typical)</b>	20ms at nominal coil voltage
<b>Dielectric Strength (at sea level for 1 min.)</b>	4000Vrms coil to contact 1500Vrms between open contacts
<b>Insulation Resistance</b>	1000 megohms min. at 20°C, 500 VDC, 50% RH
<b>Creepage Distance</b>	8mm
<b>Ambient Temperature Operating Storage</b>	At nominal coil voltage -40°C (-40°F) to 70°C (158°F) -40°C (-40°F) to 105°C (221°F)
<b>Vibration</b>	0.062" DA at 10–55 Hz
<b>Shock Operating Non-Operating</b>	10g, 98m/s <sup>2</sup> , 1/2 sine (no false operation) 100g, 980m/s <sup>2</sup> , 1/2 sine (no damage)
<b>Enclosure</b>	P.B.T. polyester
<b>Terminals</b>	Tinned copper alloy P.C. (coil), heavy tabs (power)
<b>Max. Solder Temp.</b>	270°C (518°F)
<b>Max. Solder Time</b>	5 seconds
<b>Weight (approx.)</b>	33 grams

# AZ2500

## RELAY ORDERING DATA

COIL SPECIFICATIONS -Standard Single Coil - Termination Style 1				ORDER NUMBER*	
Nominal Coil VDC	Must Operate VDC	Max. Continuous VDC [1]	Coil Resistance $\pm 10\%$	Unsealed	Sealed
5	4.0	6.5	24	AZ2500P1-1AE-5D	AZ2500P1--1AE-5DE
6	4.8	7.8	35	AZ2500P1-1AE-6D	AZ2500P1--1AE-6DE
9	7.2	11.7	80	AZ2500P1-1AE-9D	AZ2500P1--1AE-9DE
12	9.6	15.6	145	AZ2500P1-1AE-12D	AZ2500P1--1AE-12DE
24	19.2	31.2	575	AZ2500P1-1AE-24D	AZ2500P1--1AE-24DE
48	38.4	62.4	2270	AZ2500P1-1AE-48D	AZ2500P1--1AE-48DE

\* Add suffix "K" for Coil Termination Style 2. Replace 1AE with 1BE for Form B(not UL). Add suffix R for negative polarity(not UL).

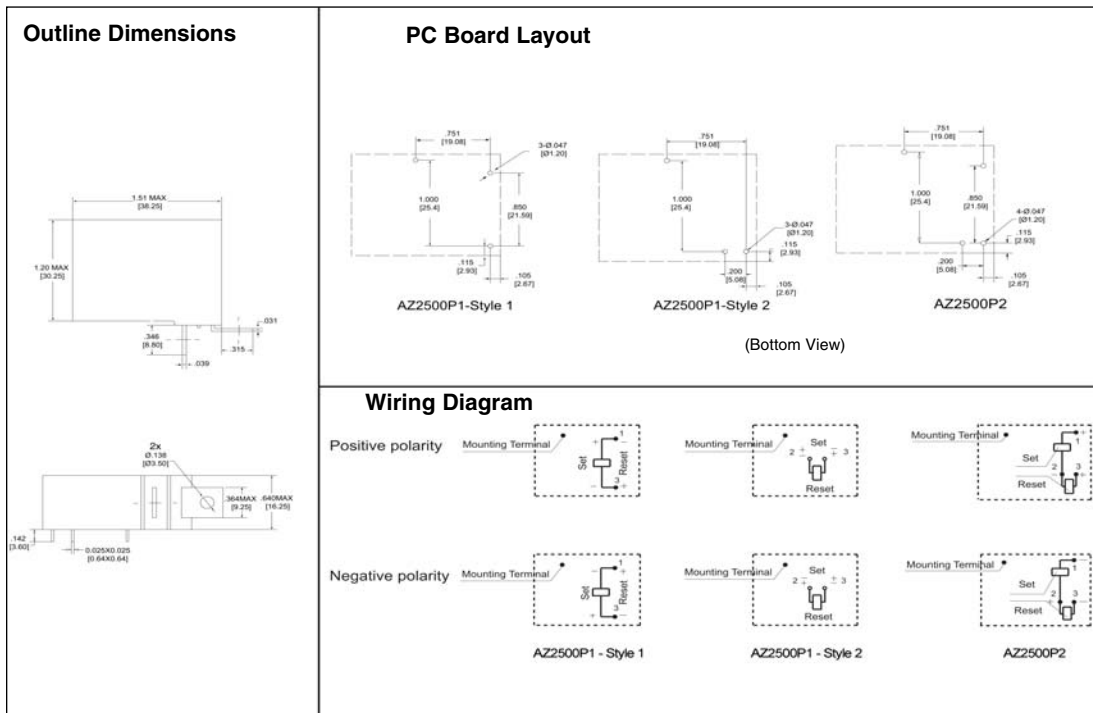
COIL SPECIFICATIONS -Standard Dual Coil				ORDER NUMBER*	
Nominal Coil VDC	Must Operate VDC	Max. Continuous VDC [1]	Coil Resistance $\pm 10\%$	Unsealed	Sealed
5	4.0	6.5	12	AZ2500P2-1AE-5D	AZ2500P2--1AE-5DE
6	4.8	7.8	17.5	AZ2500P2-1AE-6D	AZ2500P2--1AE-6DE
9	7.2	11.7	40	AZ2500P2-1AE-9D	AZ2500P2--1AE-9DE
12	9.6	15.6	72	AZ2500P2-1AE-12D	AZ2500P2--1AE-12DE
24	19.2	31.2	285	AZ2500P2-1AE-24D	AZ2500P2--1AE-24DE
48	38.4	62.4	1135	AZ2500P2-1AE-48D	AZ2500P2--1AE-48DE

**NOTE:** Relays may be ordered with twisted copper wire terminations (Styles A-K) as shown below. Contact factory for ordering information.

[1] max. continuous voltage should not be applied for more than 30 seconds.

\* Replace 1AE with 1BE for Form B(not UL). Add suffix R for negative polarity(not UL)

## MECHANICAL DATA



Dimensions in inches with metric equivalents in parentheses. Tolerance:  $\pm .010$ "

# AMERICAN ZETTLER, INC.

2/08/16

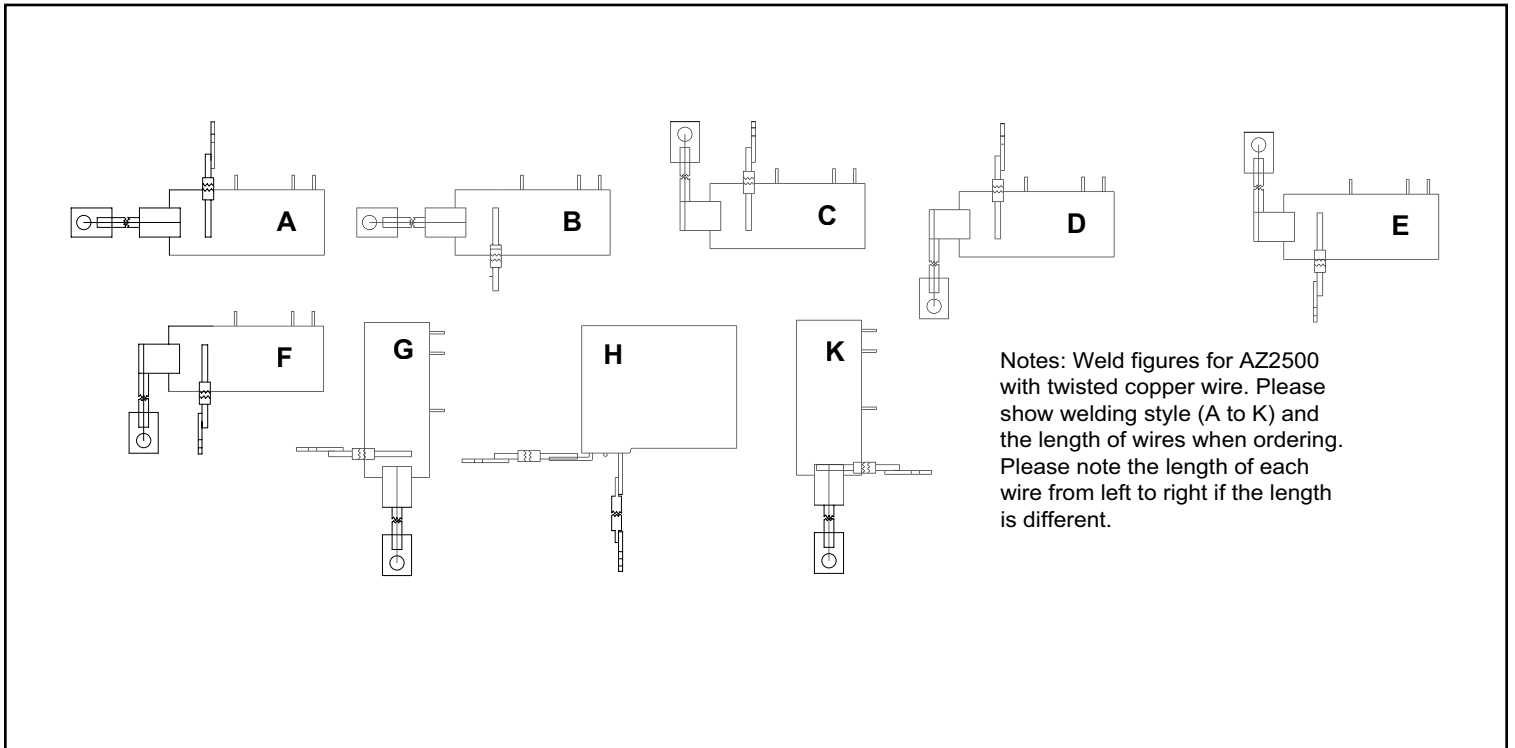
PHONE: (949) 831-5000

[www.azettler.com](http://www.azettler.com)

E-MAIL: SALES@AZETTLER.COM

# AZ2500

## Weld style of twisted copper wire (A to K)



**AMERICAN ZETTLER, INC.**

2/08/16

PHONE: (949) 831-5000

[www.azettler.com](http://www.azettler.com)

E-MAIL: SALES@AZETTLER.COM

This specification provides an overview of the most significant part features. Any individual applications and operating conditions are not taken into consideration. It is recommended to test the product under application conditions. Responsibility for the application remains with the customer. Proper operation and service life cannot be guaranteed if the part is operated outside the specified limits.