

# AZ2500

## 60 AMP LATCHING POWER RELAY

### FEATURES

- Low cost
- 60 Amp switching
- Heavy loads to 15000 VA
- 4 kV dielectric
- Epoxy sealed construction available
- UL, CUR file E43203



### CONTACTS

<b>Arrangement</b>	SPST (1 Form A), SPST (1 Form B) Not UL
<b>Ratings</b>	Resistive load: Max. switched power: 15000 VA Max. switched current: 60 A Max. switched voltage: 400 VAC
<b>Rated Load UL, CUR</b>	60 A at 250 VAC, 6k cycles, General Use 50 A at 250 VAC, 10k cycles, General Use 40 A at 250 VAC, 100k cycles, General Use
<b>Material</b>	Silver cadmium oxide or silver tin oxide
<b>Resistance</b>	< 50 milliohms initially (24 V, 1 A voltage drop method)

### COIL

<b>Power At Pickup Voltage (typical)</b>	666 mW single coil 1.3 W dual coil
<b>Temperature</b>	Max. 105°C (221°F)

### NOTES

1. All values at 20°C (68°F).
2. Relay may pull in with less than "Must Operate" value.
3. Specifications subject to change without notice.
4. Allow suitable slack on leads when wiring, and do not subject the terminals to excessive force.

### GENERAL DATA

<b>Life Expectancy Mechanical Electrical</b>	Minimum operations 1 x 10 <sup>6</sup> 1 x 10 <sup>5</sup> at 40 A 250 VAC Res.
<b>Set and Reset Pulse Duration</b>	50 ms minimum
<b>Set Time (typical)</b>	20 ms at nominal coil voltage
<b>Reset Time (typical)</b>	20 ms at nominal coil voltage
<b>Dielectric Strength (at sea level for 1 min.)</b>	4000 Vrms coil to contact 1500 Vrms between open contacts
<b>Insulation Resistance</b>	1000 megohms min. at 20°C, 500 VDC, 50% RH
<b>Creepage Distance</b>	8 mm
<b>Ambient Temperature Operating Storage</b>	At nominal coil voltage -40°C (-40°F) to 70°C (158°F) -40°C (-40°F) to 105°C (221°F)
<b>Vibration</b>	0.062" DA at 10–55 Hz
<b>Shock Operating Non-Operating</b>	20 g, 11 ms, 1/2 sine (no false operation) 100 g, 11 ms, 1/2 sine (no damage)
<b>Enclosure</b>	P.B.T. polyester
<b>Terminals</b>	Tinned copper alloy P.C. (coil), heavy tabs (power)
<b>Max. Solder Temp.</b>	270°C (518°F)
<b>Max. Solder Time</b>	5 seconds
<b>Weight</b>	33 grams



**AMERICAN ZETTLER, INC.**

[www.azettler.com](http://www.azettler.com)

75 COLUMBIA • ALISO VIEJO, CA 92656 • PHONE: (949) 831-5000 • FAX: (949) 831-8642 • E-MAIL: SALES@AZETTLER.COM

12/11/12

# AZ2500

## RELAY ORDERING DATA

COIL SPECIFICATIONS -Standard Single Coil - Termination Style 1				ORDER NUMBER*	
Nominal Coil VDC	Must Operate VDC	Max. Continuous VDC [1]	Coil Resistance $\pm 10\%$	Unsealed	Sealed
5	4.0	6.5	24	AZ2500P1-1A-5D	AZ2500P1-1A-5DE
6	4.8	7.8	35	AZ2500P1-1A-6D	AZ2500P1-1A-6DE
9	7.2	11.7	80	AZ2500P1-1A-9D	AZ2500P1-1A-9DE
12	9.6	15.6	145	AZ2500P1-1A-12D	AZ2500P1-1A-12DE
24	19.2	31.2	575	AZ2500P1-1A-24D	AZ2500P1-1A-24DE
48	38.4	62.4	2270	AZ2500P1-1A-48D	AZ2500P1-1A-48DE

\* For silver tin oxide contacts change "1A" to "1AE." Add suffix "K" for Coil Termination Style 2. Replace 1A, 1AE with 1B, 1BE for Form B(not UL). Add suffix R for negative polarity(not UL).

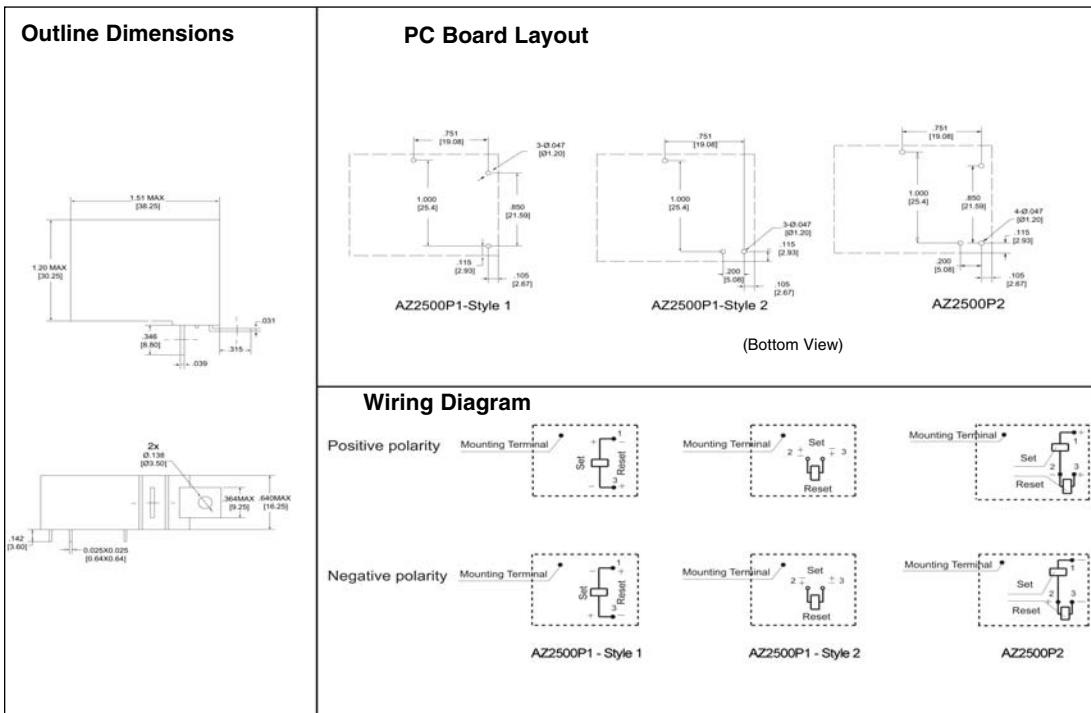
COIL SPECIFICATIONS -Standard Dual Coil				ORDER NUMBER*	
Nominal Coil VDC	Must Operate VDC	Max. Continuous VDC [1]	Coil Resistance $\pm 10\%$	Unsealed	Sealed
5	4.0	6.5	12	AZ2500P2-1A-5D	AZ2500P2-1A-5DE
6	4.8	7.8	17.5	AZ2500P2-1A-6D	AZ2500P2-1A-6DE
9	7.2	11.7	40	AZ2500P2-1A-9D	AZ2500P2-1A-9DE
12	9.6	15.6	72	AZ2500P2-1A-12D	AZ2500P2-1A-12DE
24	19.2	31.2	285	AZ2500P2-1A-24D	AZ2500P2-1A-24DE
48	38.4	62.4	1135	AZ2500P2-1A-48D	AZ2500P2-1A-48DE

**NOTE:** Relays may be ordered with twisted copper wire terminations (Styles A-K) as shown below. Contact factory for ordering information.

[1] max. continuous voltage should not be applied for more than 30 seconds.

\* For silver tin oxide contacts change "1A" to "1AE." Replace 1A, 1AE with 1B, 1BE for Form B(not UL). Add suffix R for negative polarity(not UL)

## MECHANICAL DATA



Dimensions in inches with metric equivalents in parentheses. Tolerance:  $\pm .010$ "

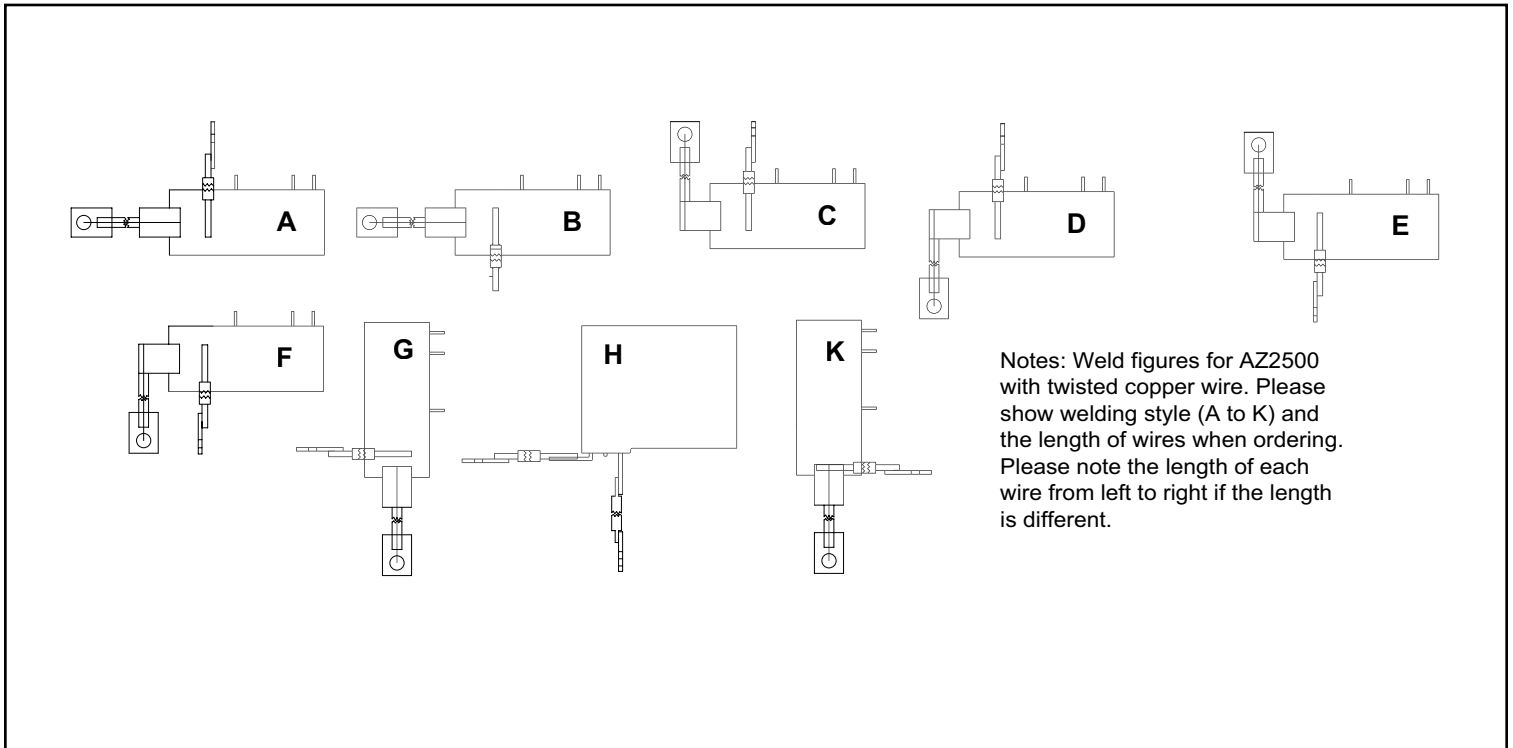


# AMERICAN ZETTLER, INC.

[www.azettler.com](http://www.azettler.com)

# AZ2500

## Weld style of twisted copper wire (A to K)



**AMERICAN ZETTLER, INC.**

[www.azettler.com](http://www.azettler.com)

75 COLUMBIA • ALISO VIEJO, CA 92656 • PHONE: (949) 831-5000 • FAX: (949) 831-8642 • E-MAIL: SALES@AZETTLER.COM

12/11/12