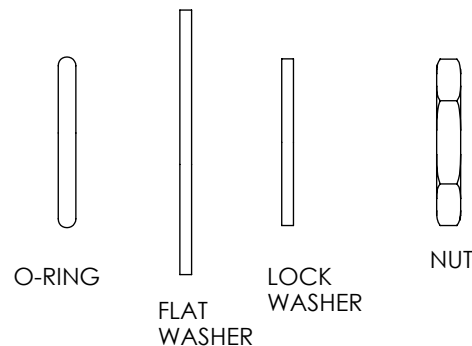
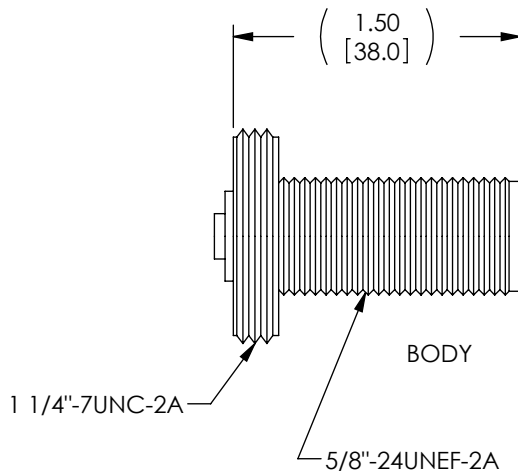
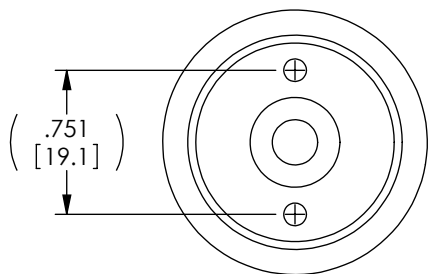


THE INFORMATION CONTAINED IN THIS DRAWING IS THE SOLE PROPERTY OF L-COM, INC. ANY REPRODUCTION IN PART OR WHOLE WITHOUT THE WRITTEN PERMISSION OF L-COM, INC. IS PROHIBITED.

| REVISIONS | | | |
|-----------|-----------------|---------|-----------|
| REV | DESCRIPTION | DATE | APPROVED |
| A | INITIAL RELEASE | 4/22/10 | D.GRIFFIN |
| | | | |
| | | | |

| DESCRIPTION | MATERIAL | FINISH |
|-------------|----------|--------|
| BODY | BRASS | NICKEL |
| CENTER PIN | BRASS | GOLD |
| INSULATOR | TEFLON | - |
| LOCK WASHER | BRASS | NICKEL |
| FLAT WASHER | BRASS | NICKEL |
| NUT | BRASS | NICKEL |
| O-RING | RUBBER | - |



NOTES:

ELECTRICAL:

IMPEDANCE: 50 OHMS
 FREQUENCY RANGE: DC ~ 11 GHz
 VOLTAGE RATING: 1500 VOLTS PEAK
 WITHSTAND VOLTAGE: 2500V RMS.
 INSERTION LOSS: .15 dB MAX.

MISCELLANEOUS:

COMPONENT SHALL BE INDIVIDUALLY PACKAGED IN ACCORDANCE WITH L-COM SPEC. PS-0031

ALL DIMENSIONS ARE FOR REFERENCE ONLY.

RoHS Compliant ✓

| | | | |
|---|---|---------------------------------------|---|
| UNLESS OTHERWISE SPECIFIED, DIMENSIONS ARE IN INCHES [mm] OVERALL CABLE LENGTH TOLERANCE: ≤12 [305] = +1 [25] / -0 >12 [305] ≤60 [1524] = +2 [51] / -0 >60 [1524] ≤120 [3048] = +4 [102] / -0 >120 [3048] ≤300 [7620] = +6 [152] / -0 >300 [7620] = +3% / -0% ALL OTHER DIMENSIONAL TOLERANCES: .X = ±.2 .XX = ±.02 .XXX = ±.005 | APPROVALS DRAWN BY D. CASTRO CHECKED BY K. BURGNER APPROVED BY K. BURGNER | DATE 4/20/10 4/21/10 4/21/10 | 45 BEECHWOOD DRIVE NORTH ANDOVER, MA 01845 |
| | CONFIGURATION DETAILS OF UNDIMENSIONED FEATURES MAY VARY | | |
| PROJECTION | COLOR VARIATIONS MAY OCCUR | SIZE A | FSCM NO. 43321 DWG. NO. AXA-AMNFB |
| SCALE: NONE | | CAD FILE: AXA-AMNFB.SLDDRW | |
| SHEET 1 OF 1 | | | REV. A |