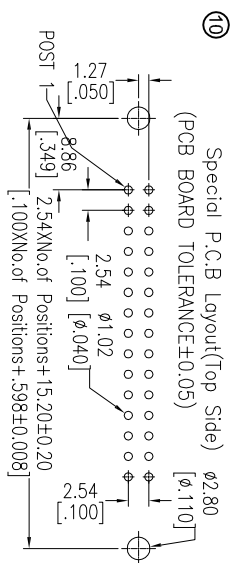
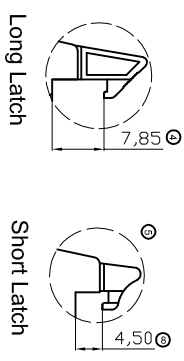
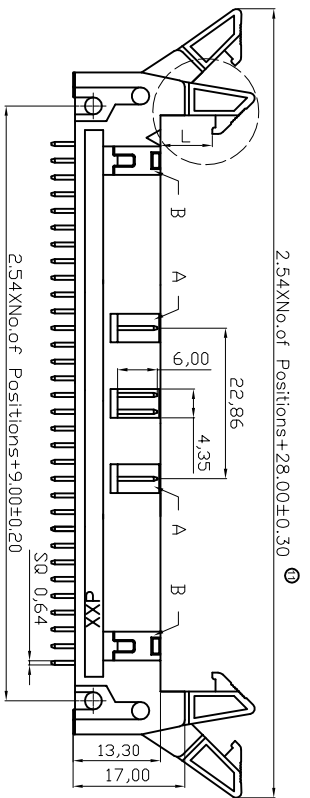
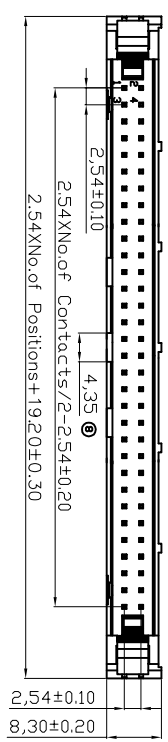
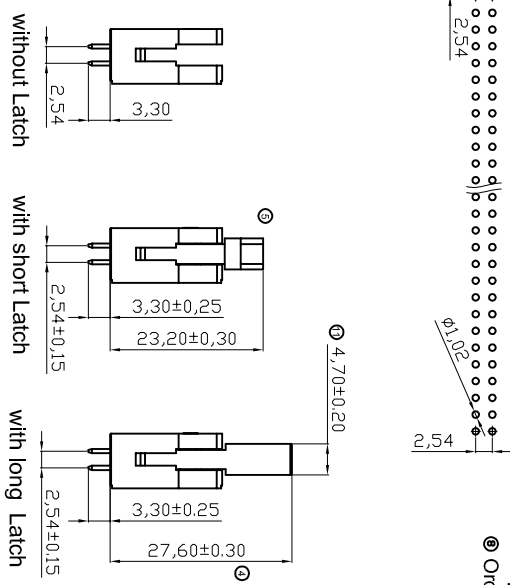


1 2 3 4 5 6 7



Recommended P.C.B Layout (Top Side)
(PCB BOARD TOLERANCE±0.05)



- NOTES:**
- MATERIAL**
1. Insulator Material: PBT+30%G.F. (UL94V-0), Grey
 2. Contact Material : Brass
 3. Contact Plating : Gold Flash / Tin or Full Tinned Over Ni
- ELECTRICAL**
1. Current Rating : 3.0AMP
 2. Withstand Voltage : 1000V AC/minute
 3. Contact Resistance : 20mΩ max
 4. Insulation Resistance: 1000MΩ min
- ENVIRONMENTAL**
1. Operation Temperature: -40°C to +105°C
 2. Soldering Temperature: 235°C±5°C/5s±1s
 3. Packing : Tray
 4. No side slot "A" and "B" from 6 to 16 pin
 - No side slot "A" from 18 to 58 pin

Ordering Information
AWH XXG-0xx2-T

- | | |
|-------------------|-----------------------|
| ⑨ No. of Contacts | Latch Type |
| 06 08 | 0(w/o latch) |
| 10 12 | 2(Gold Flash /Tinned) |
| 14 16 | 2(with short latch) |
| 18 20 | 3(with short latch) |
| 24 26 | 5: Full Tinned |
| 30 34 | |
| 40 50 | |
| 60 64 | |

RoHS compliant
Unit: mm



Scale	Free	⑪ Add the dimension	29.04.2015	Winnie	Date	Name
TOLERANCE		⑩ Add special PCB layout	13.10.2014	Ray	Drawn	Alex
X.X	±0.40	⑨ Add UL file no.	12.12.2013	Amy	Approved	Winnie
X.XXX	±0.25	⑧ Add the Filled Tinned Version	11.11.2013	Winnie		
X.XXX	±0.15	⑦ Update	30.08.2013	Winnie		
Angle	±3°	⑥ Update the dimension of short latch	29.03.2013	Winnie		
		⑤ Modification				
		④				
		③				
		②				
		①				

Customer-No.	ASSMANN WSW-No.	AWH XXG-0xx2-T
Drawing-No.	ASSMANN WSW-No.	
Replace	ASS 2310 CO	rev11
	Sheet	

H G F E D C B A

1 2 3 4 5 6 7

SV79