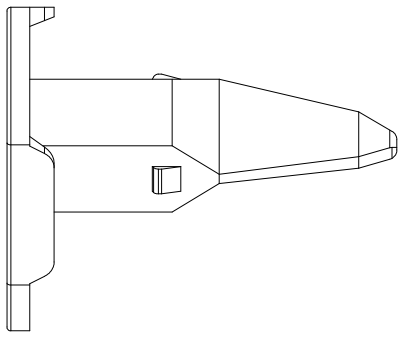
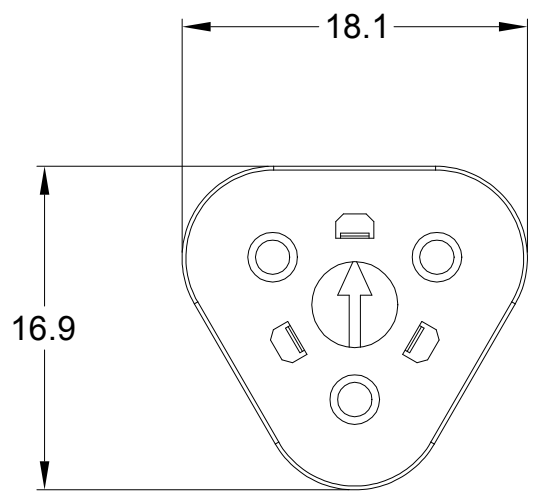
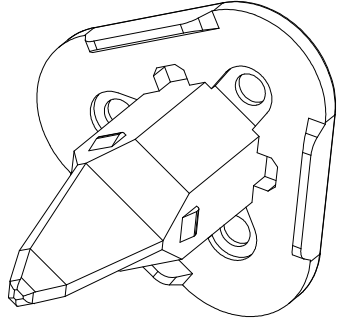
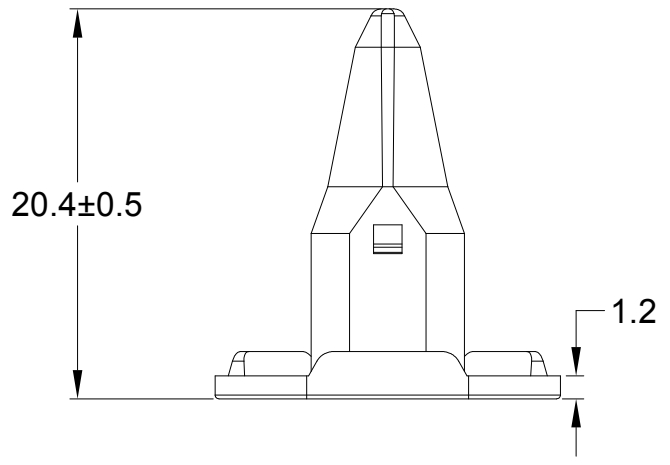


REVISIONS					
REV	ECO	DESCRIPTION	DATE	BY	APPR
A3	--	RELEASE NEW DWG FORMAT	09/AUG/13	DRP	
A4	--	UPDATE DRAWING	10/MAY/19	JOE	TOMMY



- NOTES: UNLESS OTHERWISE SPECIFIED
1. MATERIAL: THERMOPLASTIC; COLOR: GREEN
  2. RoHS COMPLIANT
  3. CAVITIES: 3
  4. KEYED: N/A
  5. USE WITH CONNECTORS AT06-3S\*  
(\* = MODIFICATIONS AND/OR COLORS)
  6. ALL DIMENSIONS ARE FOR REFERENCE USE ONLY.

QUANTITY	PART NUMBER	DESCRIPTION	ITEM
	AW3S		

**MATERIALS LIST**

<p><b>UNLESS OTHERWISE SPECIFIED</b></p> <p>1) All dimensions are in metric(mm).                  2) Tolerances are as follows:                  1 PL DEC ±0.30                  2 PL DEC ±0.15                  3 PL DEC ±0.08</p> <p>3) Note reference = </p> <p>Fractions ±1/64 Angles ±1°</p>	<b>SIGNATURES</b>		<b>DATE</b>
	DRAWN: JOE		10/MAY/19
	CHECKED: ORION		10/MAY/19
	APPROVAL: TOMMY		10/MAY/19
MATERIAL SPECIFICATIONS:	CUSTOMER:		
PROCESS SPECIFICATIONS:	THIS DRAWING IS SUPPLIED FOR INFORMATION ONLY. DESIGN FEATURES, SPECIFICATIONS AND PERFORMANCE DATA SHOWN HEREON ARE THE PROPERTY OF THE AMPHENOL CORPORATION. NO RIGHTS OF REPRODUCTION ARE IMPLIED. ALL DIMENSIONS ARE SUBJECT TO NORMAL MANUFACTURING VARIATIONS.		
NEXT ASSY:			

# Amphenol

Sine Systems - www.amphenol-sine.com  
 44724 Morley Drive  
 Clinton Township, MI 48036

**S-WEDGELOCK, 3 POSITION, AT SERIES**

<b>SIZE</b>	<b>TYPE</b>	<b>DWG NO:</b>	<b>REVISION</b>
A	C-	AW3S	A4
SCALE: NONE		SHEET 1 OF 1	