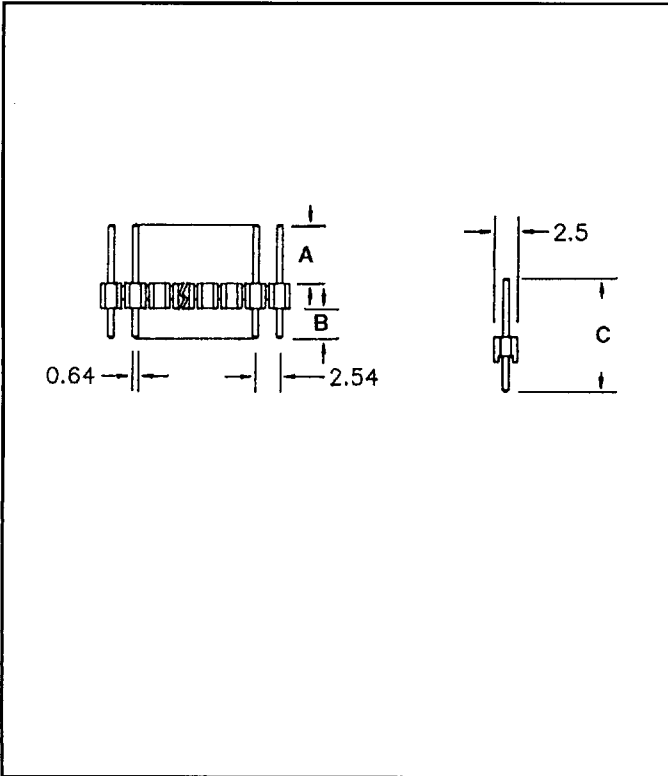


**PIN HEADERS
SINGLE ROW, STRAIGHT
PITCH .100", 2.54MM**



FEATURES AND OPTIONS

- Available in sizes from 2 to 40 pins (40 pins standard)
- Plating options include gold or tin
- Side and end stackable
- .025" square pins

SPECIFICATIONS

MATERIALS
 Contact: Brass
 Insulator: PBT & 30% glass fiber, UL94V-O

ELECTRICAL
 Current rating: 1 Amp
 Voltage: AC 500V for 1 minute
 Insulation resistance: 1000M Ω ohm min. at DC 500V
 Operating temperature range: -55°C~ to +105°C

DIMENSIONS

Part No.	A	B	C
AW140-9.2-G40	3.66	3.00	9.2
AW140-9.2-Z40	.144	.118	.362
AW140-11.2-G40	5.66	3.00	11.2
AW140-11.2-Z40	.223	.118	.440
AW140-11.6-G40	6.06	3.00	11.6
AW140-11.6-Z40	.238	.118	.457
AW140-12.4-G40	6.08	3.78	12.4
AW140-12.4-Z40	.239	.149	.488
AW140-13.6-G40A	6.08	4.98	13.6
AW140-13.6-Z40A	.239	.196	.535
AW140-13.6-G40B	8.75	2.31	13.6
AW140-13.6-Z40B	.345	.091	.535
AW140-21.1-G40	12.60	5.96	21.1
AW140-21.1-Z40	.496	.235	.831

HOW TO ORDER

AW140-XX.X-XXX

Number of pins

Plating: G = Gold
 Z = Tin

Pin Length: 9.2
 11.2
 11.6
 12.4
 13.6
 21.1