

Related Products

Pressure Relief 3-Port Valve with Locking Hole VHS 20/30/40/50

Manually operated valve can be used to prevent accidents caused by residual pressure in pneumatic lines.

Can prevent accidents due to inadvertent air supply.

When in the exhaust position, the valve may be padlock secured, preventing accidental start-ups while personnel are cleaning or servicing equipment.

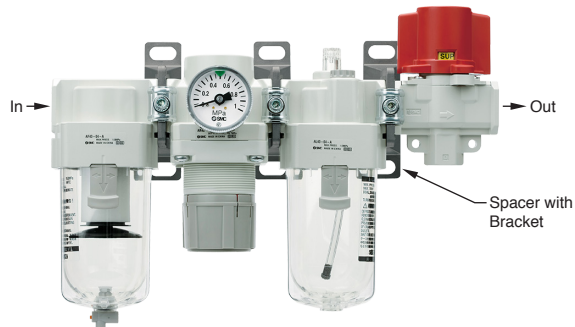
The supply/exhaust status of the air flow can be verified at a glance in the indicating window.



SUP : Supply
EXH : Exhaust



For energy isolation purposes, the compressed air supply is disconnected, residual pressure is relieved, and the handle can either be locked or labeled with a warning tag.



Combination with a modular style FRL is possible.

| | AC20 | AC25 | AC30 | AC40 | AC50 |
|-------|------|------|------|------|------|
| VHS20 | ● | | | | |
| VHS30 | | ● | | | |
| VHS40 | | | ● | | |
| VHS50 | | | | ● | |

An interface part is required if a spacer or spacer with bracket shown in the table below is attached to a modular FRL.

| Pressure relief 3-port valve | Interface P/N | Spacer with bracket P/N | Applicable air preparation equipment |
|------------------------------|---------------|-------------------------|--------------------------------------|
| VHS20 | Y200 | Y200T | AC20 |
| VHS30 | Y300 | Y300T | AC25, AC30 |
| VHS40 | Y400 | Y400T | AC40 |
| VHS40-06 | Y500 | Y500T | AC40-06 |
| VHS50 | Y600 | Y600T | AC50, AC60 (Note) |

Note) Although connection to AC60 is possible, the flow rate may decrease due to the mounting position.

Worldwide Subsidiaries

EUROPE

AUSTRIA
BELGIUM
BULGARIA
CROATIA
CZECH
DENMARK
ESTONIA
FINLAND
FRANCE
GERMANY
GREECE
HUNGARY
IRELAND
ITALY
KAZAKHSTAN

LATVIA
LITHUANIA
NETHERLANDS
NORWAY
POLAND
ROMANIA
RUSSIA
SLOVAKIA
SLOVENIA
SPAIN / PORTUGAL
SWEDEN
SWITZERLAND
TURKEY
UNITED KINGDOM

ASIA

CHINA
HONG KONG
INDIA
INDONESIA
JAPAN
MALAYSIA
PHILIPPINES
SINGAPORE
SOUTH KOREA
TAIWAN
THAILAND
VIETNAM

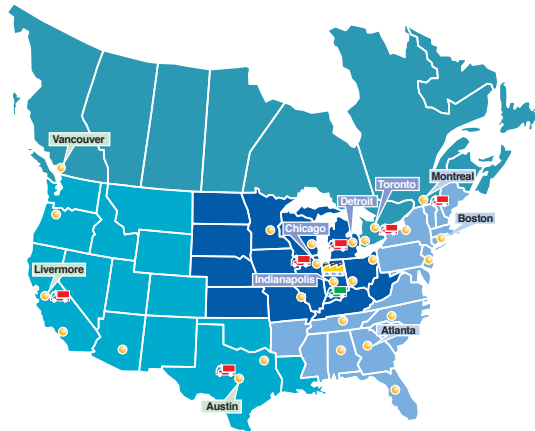
NORTH AMERICA

CANADA
MEXICO
USA

SOUTH AMERICA

ARGENTINA
BOLIVIA
BRAZIL
CHILE
COLOMBIA
ECUADOR
PERU
VENEZUELA
OCEANIA
AUSTRALIA
NEW ZEALAND

U.S. & Canadian Sales Offices



WEST

Austin
Dallas
Los Angeles
Phoenix
Portland
San Francisco

EAST

Chicago
Cincinnati
Cleveland
Detroit
Indianapolis
Milwaukee
Minneapolis
St. Louis

CENTRAL

Atlanta
Birmingham
Boston
Charlotte
Nashville
New Jersey
Rochester
Tampa

CANADA

Montreal
Toronto
Vancouver
Windsor

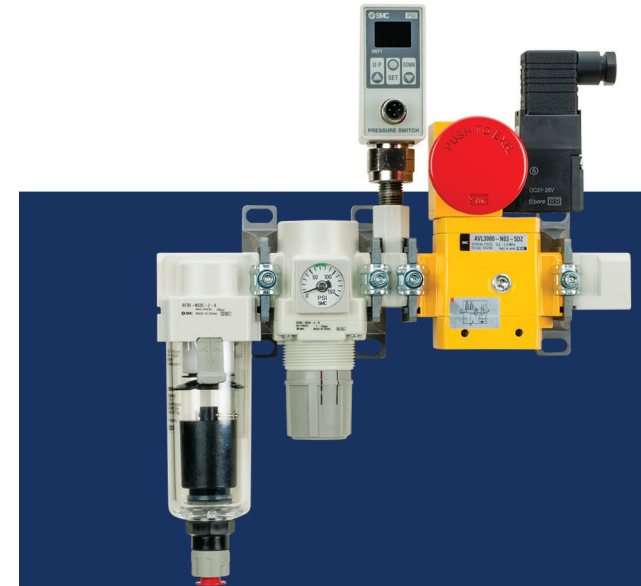
SMC Corporation of America
10100 SMC Blvd., Noblesville, IN 46060
www.smcusa.com



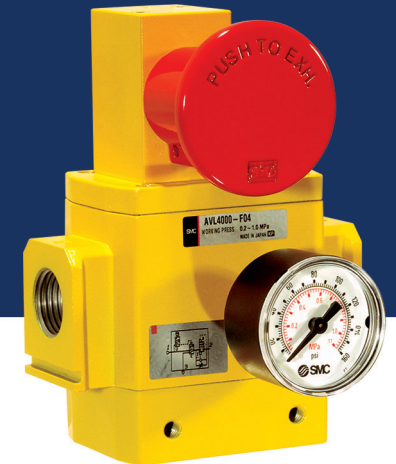
SMC Pneumatics (Canada) Ltd.
www.smc Pneumatics.ca

(800) SMC.SMC1 (762-7621)
e-mail: sales@smcusa.com

For International inquiries: www.smcworld.com



Soft Start-Up Valve With Lock Out



Series AVL2000/3000/4000/5000

Soft start up valve with lock out

- Large effective area
- Low power consumption
- Manual/Manual solenoid lock out
- Modular design

How to Order

AVL 20 00 - F 02 G - 5 DZM - R

Soft start valve with lock out

| Body size | | Port thread | |
|-----------|--------|-------------|-----|
| 20 | 1/4 | Nil | Rc |
| 30 | 3/8 | N | NPT |
| 40 | 1/2 | F | G |
| 50 | 3/4, 1 | | |

| Port size | |
|-----------|---------------|
| 02 | 1/4 (AVL2000) |
| 03 | 3/8 (AVL3000) |
| 04 | 1/2 (AVL4000) |
| 06 | 3/4 (AVL5000) |
| 10 | 1 (AVL5000) |

Option

| | |
|-----|---------------------------------|
| Nil | No gauge |
| G | Pressure gauge (Unit: MPa) |
| P | Pressure gauge (Unit: MPa, psi) |

Rated coil voltage

| | |
|-----|-------------------------|
| Nil | Manual lockout |
| 1 | 100VAC (50/60Hz) |
| 2 | 200VAC (50/60Hz) |
| 3 | 110 to 120VAC (50/60Hz) |
| 4 | 220VAC (50/60Hz) |
| 5 | 24VDC |
| 6 | 12VDC |
| 9 | Others |

Air direction

| | |
|-----|---------------|
| Nil | Left to Right |
| R | Right to Left |

Electric entry

| | |
|-----|---|
| Nil | Manual lockout |
| D | D type DIN connector |
| DZ | D type DIN connector with indicator light & suppressor |
| DZM | D type DIN connector with M12 connector, indicator light & surge voltage suppressor |

AVL2000/3000/4000/5000

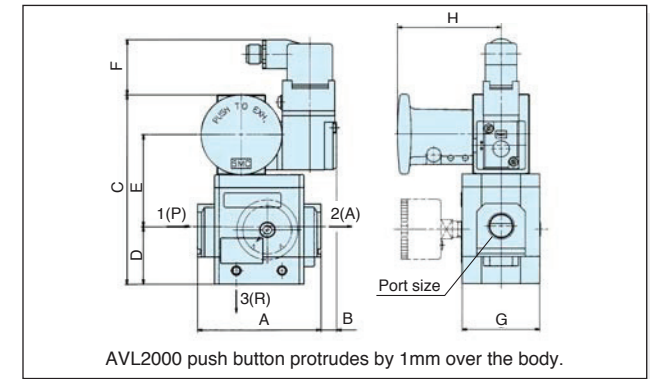
Lockable soft start valve.
Gradual increase of supply pressure and rapid exhaust of system air when the supply is shut off.



Dimension AVL2000 to AVL5000

(mm)

| Model | Port size | A | B | C | D | E | F | G | H |
|----------------------|-----------|-----|------|-----|----|----|----|----|--------------|
| AVL2000*02 | 1/4 | 67 | - | 111 | 31 | 55 | - | 40 | 64 (Max. 73) |
| AVL2000*02*DZM | 1/4 | 67 | 20.5 | 111 | 31 | 55 | 34 | 40 | 64 (Max. 73) |
| AVL3000*03 | 3/8 | 76 | - | 118 | 36 | 57 | - | 48 | 64 (Max. 73) |
| AVL3000*03*DZM | 3/8 | 76 | 12.5 | 118 | 36 | 57 | 34 | 48 | 64 (Max. 73) |
| AVL4000*04 | 1/2 | 98 | - | 133 | 47 | 61 | - | 52 | 64 (Max. 73) |
| AVL4000*04*DZM | 1/2 | 98 | - | 133 | 47 | 61 | 34 | 52 | 64 (Max. 73) |
| AVL5000*06 to 10 | 3/4 & 1 | 128 | - | 161 | 59 | 77 | - | 74 | 64 (Max. 73) |
| AVL5000*06 to 10*DZM | 3/4 & 1 | 128 | - | 161 | 59 | 77 | 34 | 74 | 64 (Max. 73) |



Dimension AC20* to AC60*

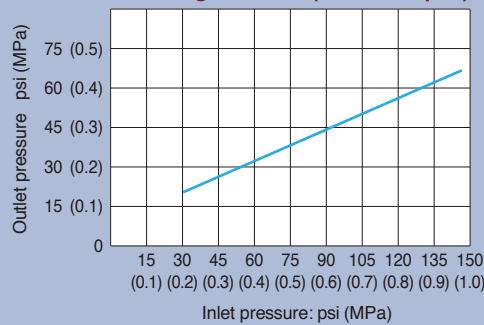
(mm)

| Model | A1 | A2 | A3 |
|-------|------|-----|-------|
| AC20* | 41.5 | 43 | 67.5 |
| AC25* | 55 | 57 | 78 |
| AC30* | 55 | 57 | 78 |
| AC40* | 72.5 | 75 | 100.5 |
| AC50* | 93 | 96 | 131 |
| AC55* | 98 | 96 | 131 |
| AC60* | 98 | 101 | 131 |

Specifications

| Model | | AV2000 | AV3000 | AV4000 | AV5000 | | |
|-----------------------------------|-------------------------------|--|--|-------------|-------------|-------------|--|
| Port size | | 1/4 | 3/8 | 1/2 | 3/4 | 1 | |
| Proof pressure | | 225 psi (1.5 MPa) | | | | | |
| Operating pressure range | | 30 to 150 psi (0.2 to 1 MPa) | | | | | |
| Ambient and fluid temp. | | 32 to 140°F (0 to 60°C) | | | | | |
| Effective area (mm ²) | 1(P) to 2(A) | 20 | 37 | 61 | 113 | 122 | |
| | 2(A) to 3(R) | 24 | 49 | 76 | 132 | 141 | |
| Weight manual/solenoid lb (kg) | | 1.14 (0.64) | 1.63 (0.74) | 2.21 (1.00) | 4.19 (1.90) | 4.06 (1.84) | |
| Weight manual lb (kg) | | 1.15 (0.52) | 1.37 (0.62) | 1.94 (0.88) | 3.93 (1.78) | 3.79 (1.72) | |
| Electrical specification | Rated coil voltage | 100, 200, 110 to 120, 220VAC (50/60 Hz), 12, 24VDC | | | | | |
| | Allowable voltage fluctuation | -15% to +10% of rated voltage | | | | | |
| | Coil insulation type | Equivalent to B type [266°F (130°C)] | | | | | |
| | Current consumption AC | Inrush | 5.6V (50 Hz), 5.0VA (60 Hz) | | | | |
| | | Energized | 3.4VA (2.1W) 50 Hz, 2.3VA (1.5W) 60 Hz | | | | |
| | Current consumption DC | 1.8W | | | | | |
| Electric entry | | Type D DIN Terminal, M12 connector | | | | | |
| Optional specification | | Indicator light/Surge voltage suppressor | | | | | |

Piston B Switching Pressure (Close to Open)



Combination with a modular style FRL is possible.

