

# Safety isolating transformer

## AVB 3,2/2/9



Picture shows AVB 3,2/2/18

## Advantages

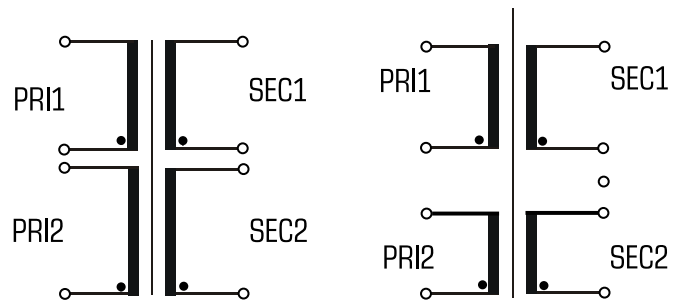
- Minimum size at high output
- Unconditionally short-circuit proof
- Double input voltage for series or parallel connection
- Also with double output voltage for series or parallel connection
- Designed for high ambient temperatures
- Permanent corrosion protection, high insulation value and maximum electrical reliability thanks to XtraDenseFill resin encapsulation
- Coil shell in 2-chamber technology
- Self-extinguishing potting and hood material

## Applications

As a mains transformer for adjustment of the voltage and simple electrical isolation.

As a safety transformer for the safe electrical isolation of the input and output sides. The transformer is suitable for creating SELV and PELV circuits because of the limit on the output voltage.

## Sample application



## Standards



Safety isolating transformer  
to: VDE 0570 Part 2-6, DIN EN 61558-2-6, EN 61558-2-6, IEC 61558-2-6,  
UL 5085-1/-2, CSA 22.2 No.66

## Approvals



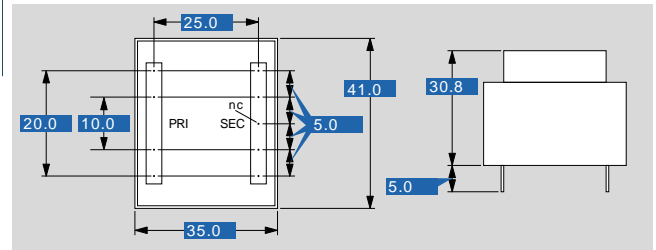
UL 5085-1/-2, CSA 22.2 No.66



## Safety isolating transformer AVB 3,2/2/9

Electrical data		Type	AVB 3,2/2/9
Input			
Rated input voltage			2 x 115 Vac
Rated frequency			50 - 60 Hz
Output			
Rated output voltage			2 x 9 Vac
Rated Power			3.20 VA
No-load voltage (app. x factor)			1.57
No-load loss (typ.)			1.00 W
Efficiency			58 %
Standards			
Classification			Safety isolating transformer
Approvals			
Approvals			cURus
Environment			
Ambient temperature max.			50 °C
Safety and protection			
Type			Encapsulated
Class of Insulation System			VDE=B, UL=class 105
Protection index			IP 00
Safety class (prepared)			II
Short circuit strength			inherently short-circuit proof
Order numbers			
<b>Order Number</b>			<b>AVB 3,2/2/9</b>

Mechanical data		Type	AVB 3,2/2/9
Terminal and mounting			
Terminals			Quick connect terminals
Pin (ø)			0.6 x 0.8
Measures and weights			
Core type			EI 38/16,5
Weight			0.17 kg



Subjects to change.