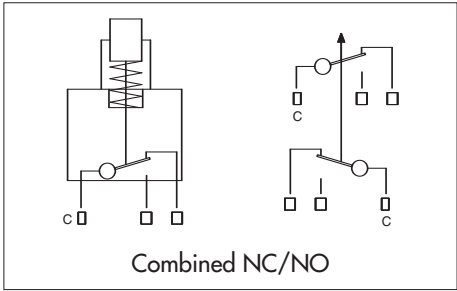


AV series

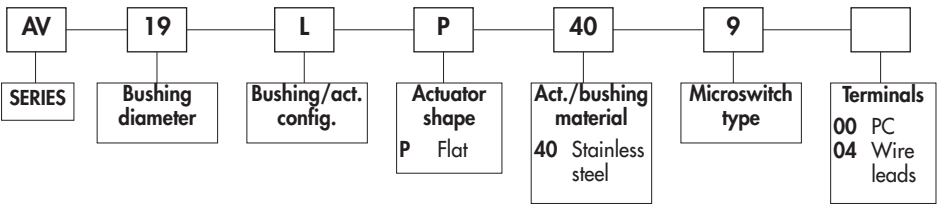
New!

Security pushbutton switches Ø 19 mm (.748)

Momentary (NC/NO)



ORDER FORMAT



SPECIFICATIONS

- Max. current/voltage rating with resistive load :
2A 12VDC, 200.000 cycles - 1A 24VDC, 200.000 cycles
3A 125Vca - 0,2A 60VDC - 6.000 cycles
- Initial contact resistance : 100 mΩ max.
- Insulation resistance: 100 MΩ min. at 500VDC
- Dielectric strength : 500 Vrms 50 Hz min.
- Torque : 5 Nm min.- 14 Nm max. applied to nut
- Panel thickness : 1 (.039) to 6 mm (.236) max.
- Operating temperature : -20°C to +55°C
- Mechanical life : 1.000.000 cycles
- Front panel sealing : IP65
- Hand soldering : 300°C, 3 seconds max.
- Packaging unit : models with straight PC terminals : 20 pieces
Models with wire lead terminals : individual bags

MATERIALS

- Contacts : silver
- Bushing and actuator : stainless steel

CUT-OUT

- Panel cut-out : Ø 19,2 mm (.755)
- Min. pitch for matrix mounting : 30 mm x 30 mm (1.181x1.181)

BASIC MODEL

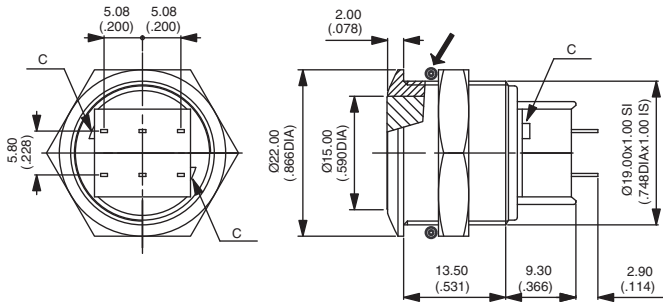
The common terminal is indicated by the letter C on the drawing.

Flat actuator - straight PC terminals

→ O-Ring Hex nut 22 (.866) across flats



AV19LP40900



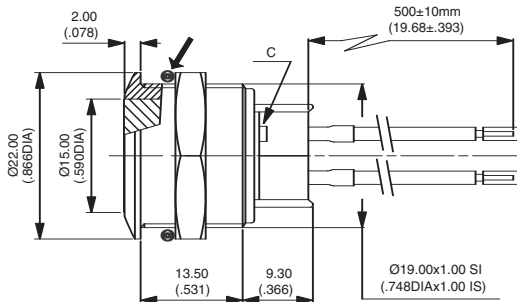
Flat actuator - wire lead terminals

→ O-Ring Hex nut 22 (.866) across flats



AV19LP40904

Wire length : 500 mm



In the upper position (ON), the closed circuit is through the red wires.
In the lower position (MOM), the closed circuit is through the blue wires.