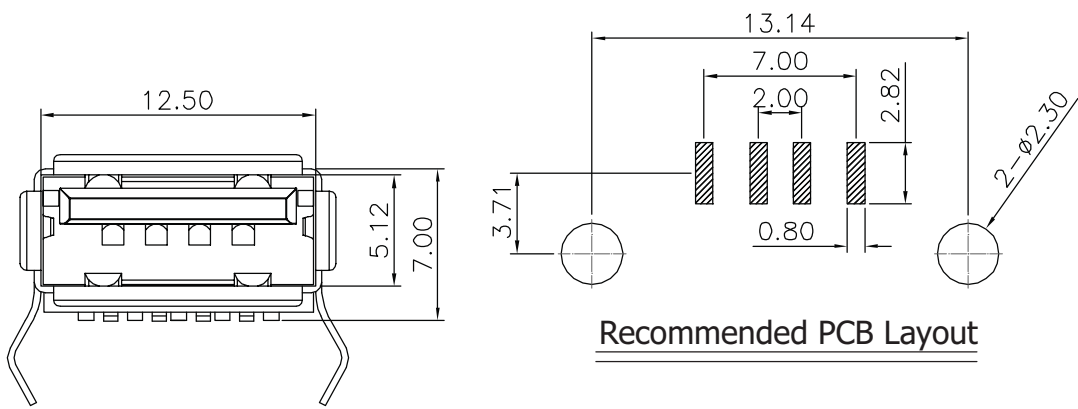


- Material:**
- Contacts: Phosphor Bronze
 - Insulator: LCP+30% G.F., UL 94V-0, Black
 - Shell: Brass
- Mechanical:**
- Mating: 35N Max.
 - Withdrawal Force: 10N Min.
 - Durability: 1,500 Cycles Min.
- Electrical:**
- Current - Max(Amps): 1.5A
 - Voltage - Max(Volts): 30V
 - Withstanding voltage: 500V AC
 - Contact Resistance: 30MΩ Max.
 - Insulation Resistance: 1,000MΩ Min.
- Plating:**
- Contacts: Gold Flash & Tin over Nickel plated
 - Shell: Nickel over all plating
- Environmental:**
- Operating Temperature: -55°C ~ +85°C
 - Soldering Temperature: 276.8°C Max.



Unit: MM±0.25MM



Scale	1:1						Name
TOLERANCE					Drawn	10.19.11	Chappell
X.X	±0.40				Approved		
X.XX	±0.25						
X.XXX	±0.15						
Angle	±3°						
		Modification		Date	Name		

Item No.	AU-Y1006-2-R
Title	USB2.0 Type A Connector - SMT, 30µ" Gold, Black Insulator
Drawing No.	
Replace	rev00
Sheet	

