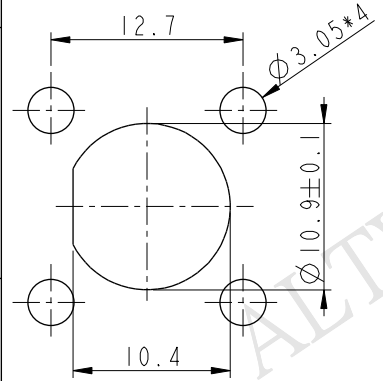
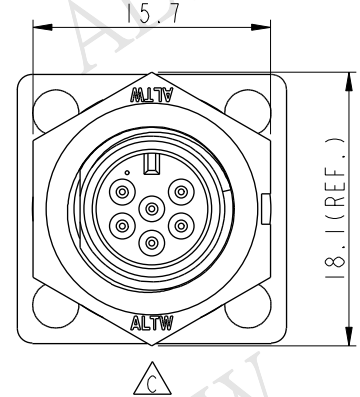
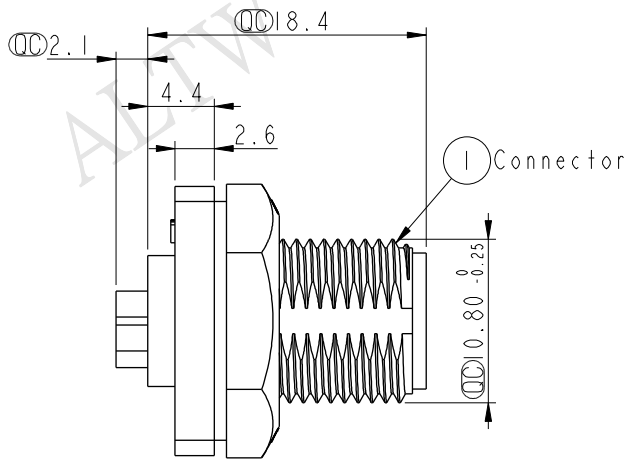
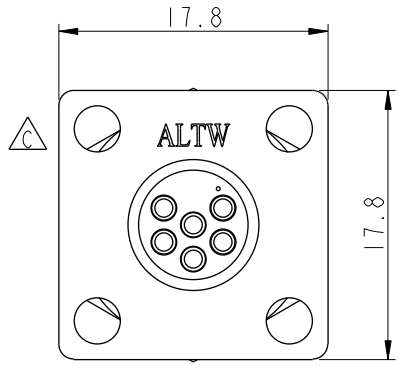
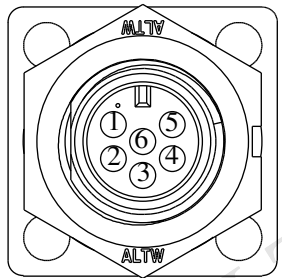


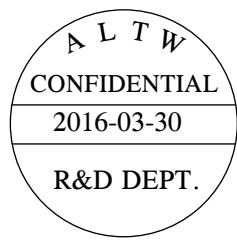
REV.	ECN NO.	DATE	SIGN	DESCRIPTION
B	LEN-8A0121	2008/09/15	Shin	Add Notes
C	LEN1640085	2016/03/30	Vicky	Update Logo



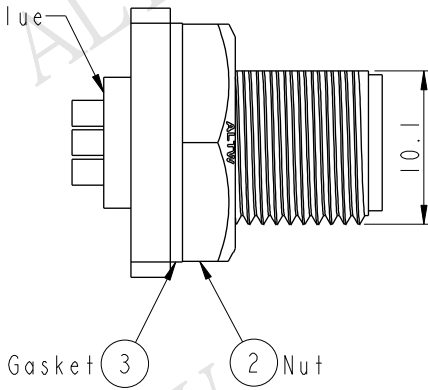
Recommended Panel Cut-Out



Pin Assignments Front View



With Liquid Glue



Note:

- * \varnothing Important Dimension
- * Waterproof Rate: IP67
- * Housing: Nylon+GF, Black
- * Male Pin: Copper Alloy, Gold Plated
- * Nut: Nylon+GF, Black
- * Gasket: EPDM, Black
- \triangle * Use with waterproof cap or dust cap
Panel Thickness max: 4.0mm
- \triangle * Use without waterproof cap or dust cap
Panel Thickness max: 5.0mm

UNIT:mm		TITLE Mini Panel Screw 6Pin M Conn. M Pin			ITEM NO AU-06PMMS-SS7001	DRAWN BY Vicky	DATE 2016-03-30
		SCALE 2:1	SIZE A4	SHEET 1 OF 1	DWG NO AU-06PMMS-SS7001	CHECKED BY Rita	DATE 2016-03-30
		REV. C	WC-REV. A.1	\varnothing : Inspection item	CUSTOMER ALTW	APPROVED BY Lisa	DATE 2016-03-30
		Amphenol LTW 安費諾亮泰企業股份有限公司					

THIS DOCUMENT IS SUBJECT TO CHANGE WITHOUT NOTICE. IT IS CONFIDENTIAL AND A PROPERTY OF AMPHENOL LTW. DISCLOSURE TO THIRD PARTY HAS TO BE AUTHORIZED BY AMPHENOL LTW.